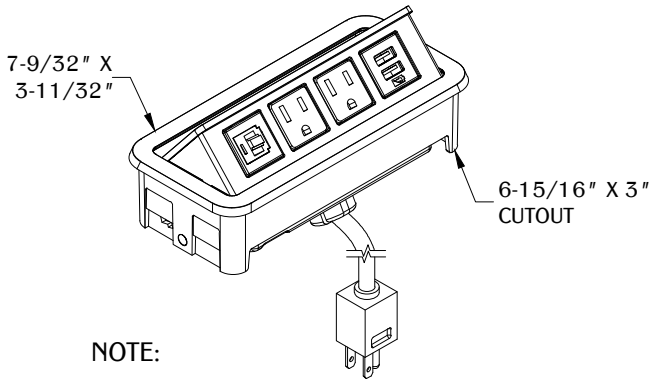


## PCS68/2EU1

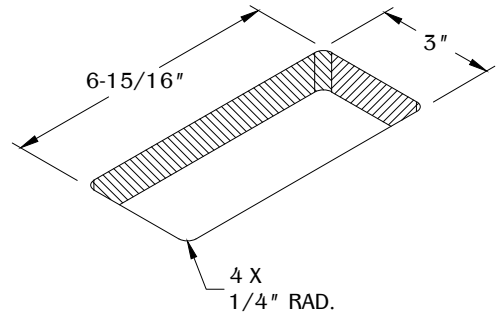
310.318.2491 • 800.523.1269 • www.mockett.com



**NOTE:**

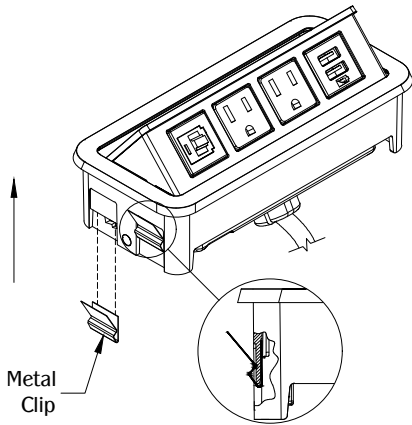
- 6 ft. cord length.
- For use on a normally dry work surface.
- Table thickness is 1/2" MIN.
- USB-A ports are for charging use only.
- Plug dimension is 1-11/32" X 1-1/32" X 7/8".
- Please use applicable adapter from data tree. (See PCS data tree page 3 for more information.)

**1**



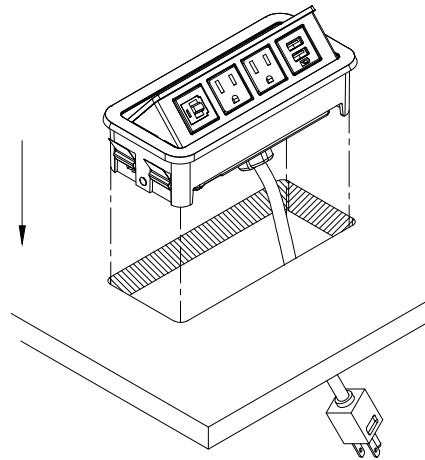
Make a cutout in the desired work surface.  
(NOTE: Cutout corners must contain 1/4" radius.)

**2**



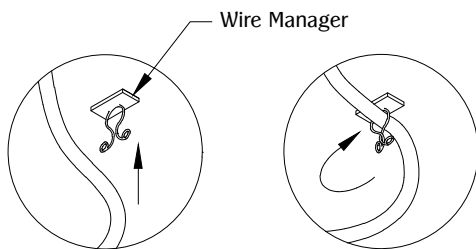
Place the (4) metal clips on both sides of the PCS68/2EU1

**3**



Guide the power cord through the cutout. Install PCS68/2EU1 into the cutout and make sure it is fully leveled onto surface.

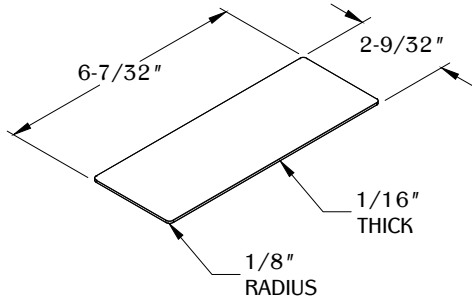
**4**



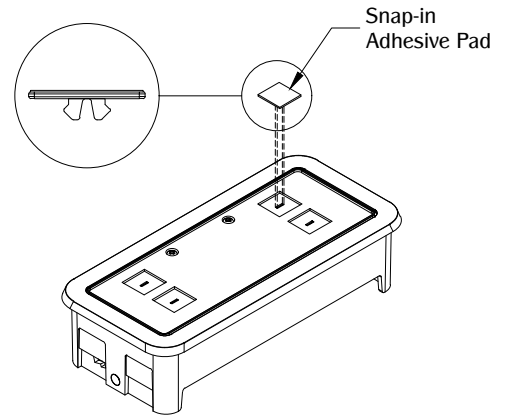
Optional wire manager.

**TABLE OF CONTENTS:**

	.....1 X PCS68/2EU1
	.....1 X Wire manager
	.....4 X Metal Clip

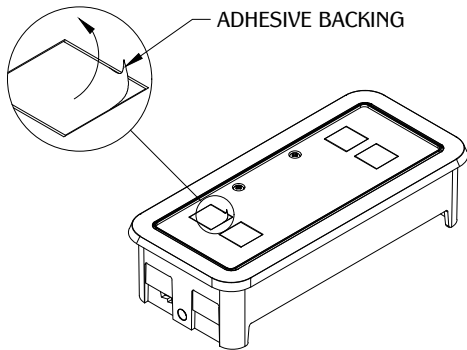


1



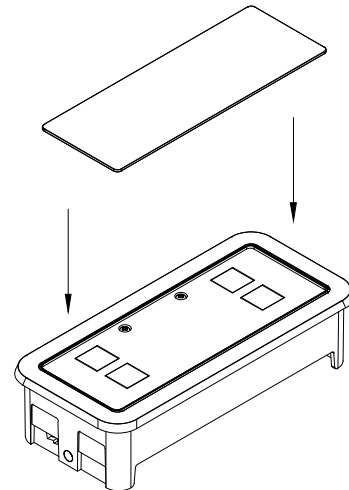
Align the Snap-in Adhesive pads to the top of the unit.

2



Peel off the adhesive backing on four places.

3



4

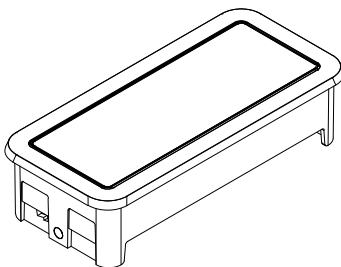
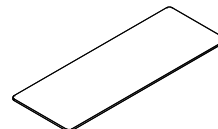


TABLE OF CONTENTS:



.....2 X PCS68/2EU1

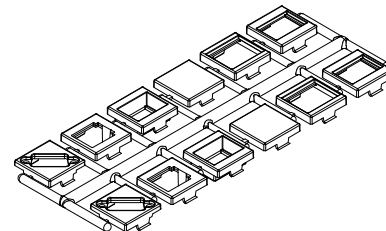


.....4 X Snap-in Adhesive Pad

## PCS Data Tree

PROPRIETARY AND CONFIDENTIAL.  
ALL DIMENSIONS HAVE A +/- 1/16" TOLERANCE UNLESS OTHERWISE SPECIFIED. WE DO NOT RECOMMEND DRILLING OR CUTTING ANY HOLES BEFORE RECEIVING A PRODUCT OR A PRODUCT SAMPLE.

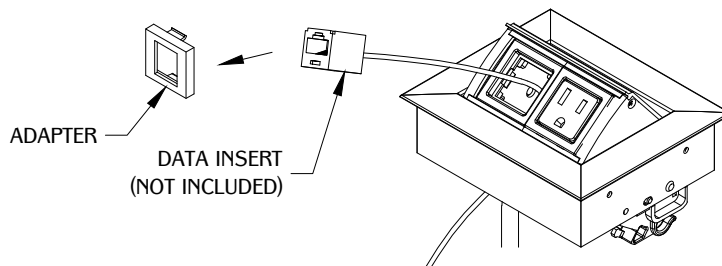
- 1.) Select the appropriate adapter from the chart below. (example: Panduit Mini-Com Series jack would use "FFF" adapter marked on back of adapter.)



\* Jacks, not included, UL Listed (DUXR) or Recognized (DUXR2) jacks required.

Adapter	Manufacturer	Website
BBB	L-Com Keystone Modular	www.L-Com.com
BBB	NETCONNECT, and 110 Connect Series Modular Jack	www.Anixter.com
BBB	Siemon ZMAX Style	www.Siemon.com
BBB	Allen Tel Versa Tap Series	www.Graybar.com
BBB	Leviton Quick Port ® Series	www.Leviton.com
BBB	Belden REVConnect	www.Belden.com
BBB	HDMI Adapter Cable	www.Mockett.com
CCC	Hubbell Nextspeed™ Keystone Series	www.Hubbell-premise.com
CCC	ADC Truenet Series	www.Anixter.com
DDD	Blank (no coupler/jack)	-
EEE	Ortronics TracJack Series	www.Ortronics.com
FFF	Panduit Mini-Com Series	www.Panduit.com
HHH	Video Monitor Jack/DB-15, panel mount solder style	www.Mockett.com

- 2.) Snap Jack into adapter following the instructions provided with the jack.
- 3.) Once assembled, snap adapter into the notched, square holes in the orientation shown.



**NOTE:** Please verify fit of jack in adapter before ordering large quantities as manufacturer designs may change without notice.