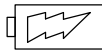
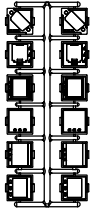


PART #
PCS68/2E/U1-U

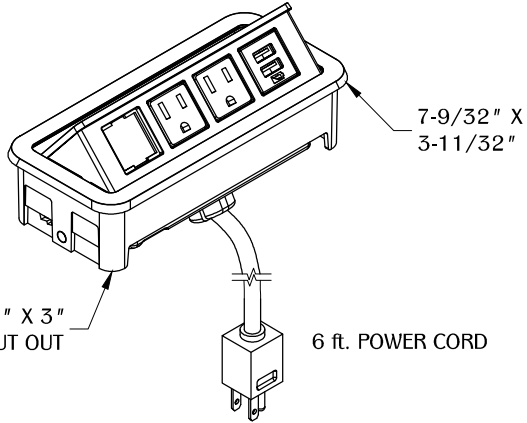
310.318.2491 • 800.523.1269 • www.mockett.com

NOTE:

PLEASE USE APPLICABLE ADAPTER FROM DATA TREE. (SEE PCS DATA TREE PAGE FOR MORE INFORMATION.)



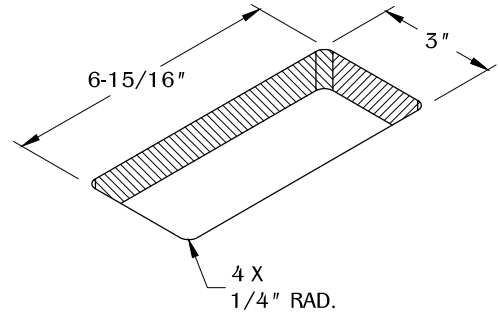
USB plugs for CHARGING USE ONLY.



6-15/16" X 3" CUT OUT

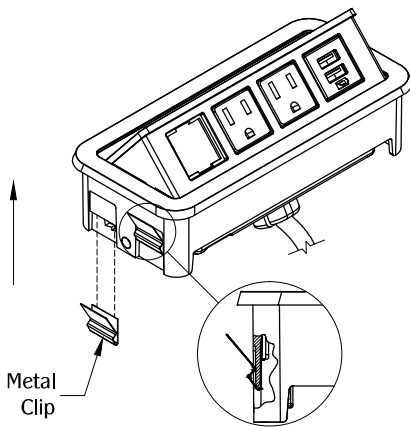
MINIMUM TABLE THICKNESS: 1/2"

1



Make a cut out in the desired work surface.
(NOTE: Cut out corners must contain 1/4" radius.)

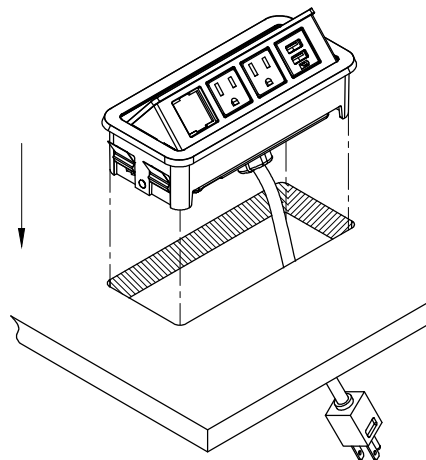
2



Metal Clip

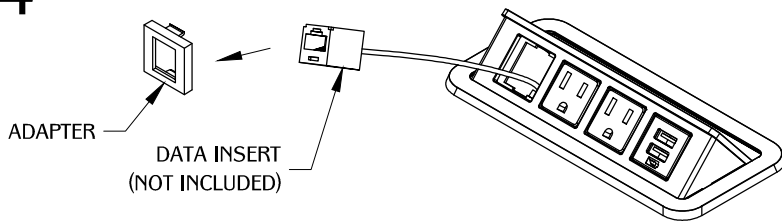
Place the (4) metal clips on both sides of the PCS68 unit.

3



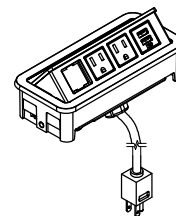
Guide the power cord through the cut out. Install PCS68/2E/U1-U into the cut out and make sure it is fully leveled onto surface.

4



Pick desired data adapter from the PCS68 Data tree. Assemble data insert. Once assembled, snap adapter into the notched, square holes in the unit.

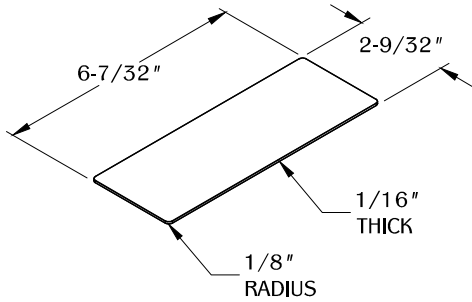
TABLE OF CONTENTS:



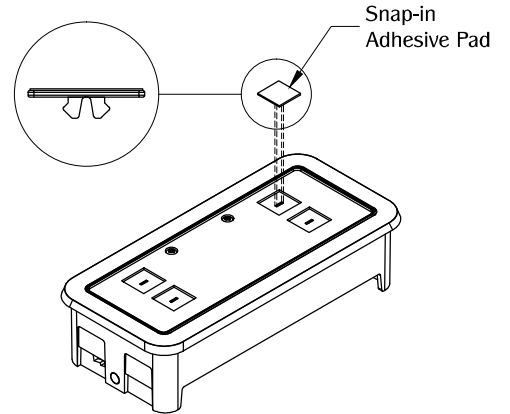
..... 1 X PCS68/2E/U1-U
(2 POWER,
1 DUAL USB)



..... 4 X Metal Clip

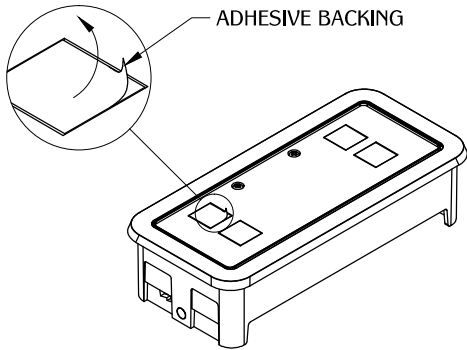


1



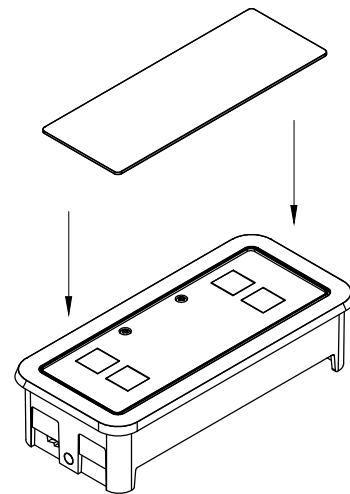
Align the Snap-in Adhesive pads to the top of the unit.

2



Peel off the adhesive backing on four places.

3



4

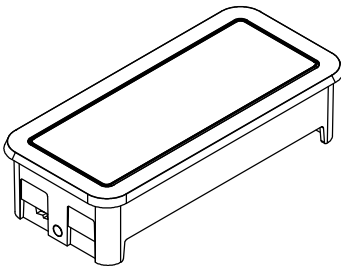
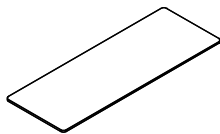
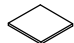


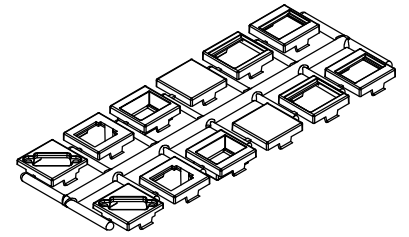
TABLE OF CONTENTS:

1 X PCS68 Top
4 X Snap-in Adhesive Pad

PCS68 Data Tree

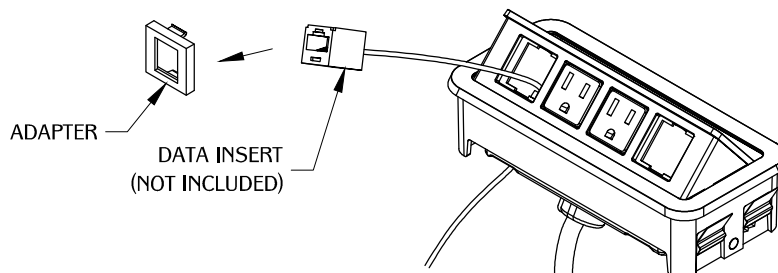
- 1.) Select the appropriate adapter from the chart below. (example: Panduit Mini-Com Series jack would use "FFF" adapter marked on back of adapter.)

*Jacks, not included, UL Listed (DUXR) or Recognized (DUXR2) jacks required.



Adapter	Manufacturer	Website
BBB	L-Com Keystone Modular	www.L-Com.com
BBB	NETCONNECT, and 110 Connect Series Modular Jack	www.Anixter.com
BBB	Siemon ZMAX Style	www.Siemon.com
BBB	Allen Tel Versa Tap Series	www.Graybar.com
BBB	Leviton Quick Port ® Series	www.Leviton.com
BBB	Belden REVConnect	www.Belden.com
BBB	HDMI Adapter Cable	www.mockett.com
CCC	Hubbell Nextspeed™ Keystone Series	www.Hubbell-premise.com
CCC	ADC Truenet Series	www.Anixter.com
DDD	Blank (no coupler/jack)	-
EEE	Ortronics TracJack Series	www.Ortronics.com
FFF	Panduit Mini-Com Series	www.Panduit.com
HHH	Video Monitor Jack/DB-15, panel mount solder style	www.mockett.com

- 2.) Snap Jack into adapter following the instructions provided with the jack.
 3.) Once assembled, snap adapter into the notched, square holes in the orientation shown.



NOTE: Please verify fit of jack in adapter before ordering large quantities as manufacturer designs may change without notice.