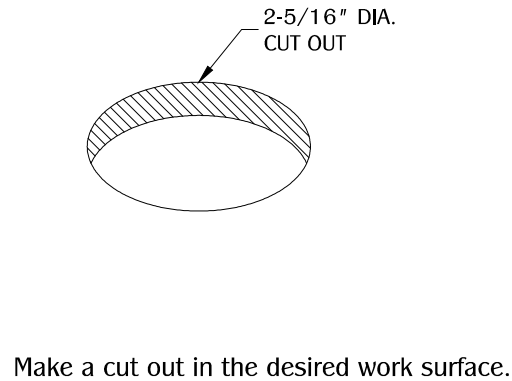
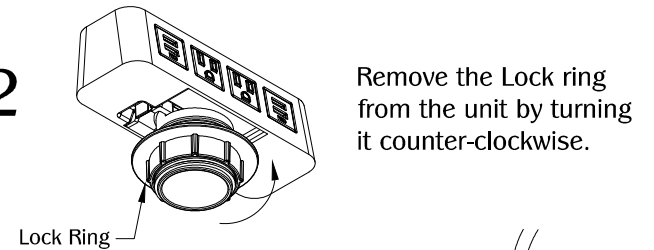


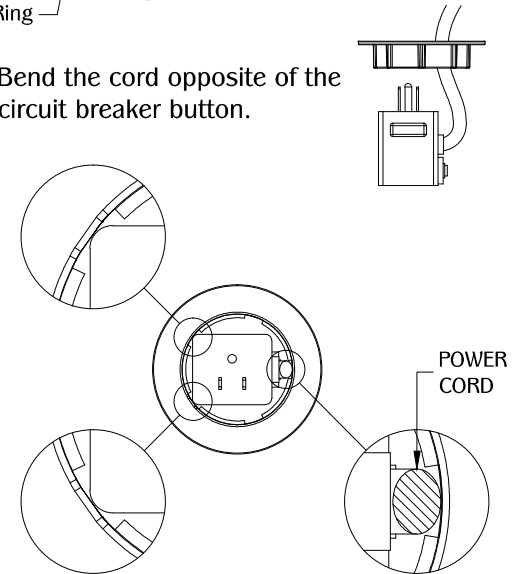
1



2

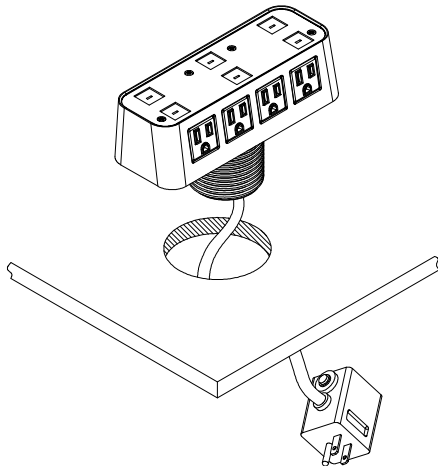


Bend the cord opposite of the circuit breaker button.



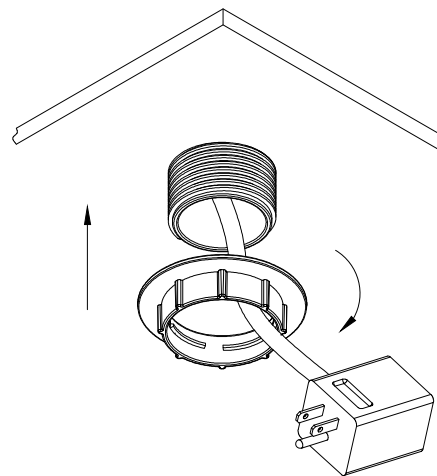
Align the two corners of the plug and the power cord with the slots in the lock ring. Carefully press the cord and the plug through the lock ring.

3



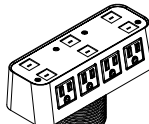

Guide the power cord through the cut out. Install PCS67G/4E into the cut out and make sure it is fully leveled onto surface.

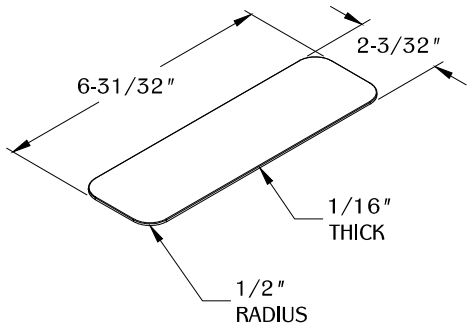
4



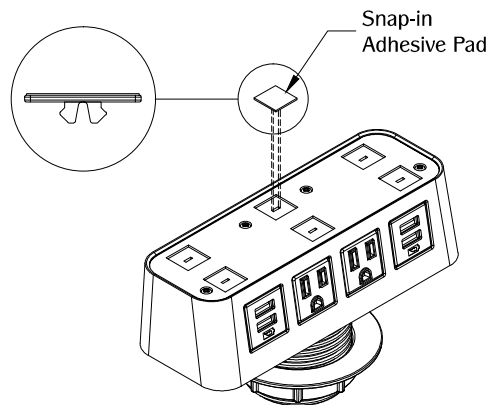
Repeat step 2 to put back the Lock ring through the power cord. Secure the unit by turning the lock ring clockwise.

TABLE OF CONTENTS:

1 X PCS67G/4E
1 X Lock Ring

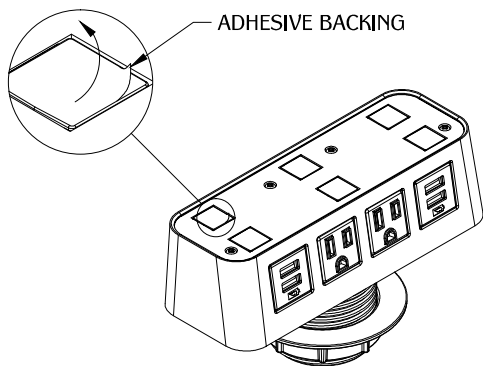


1



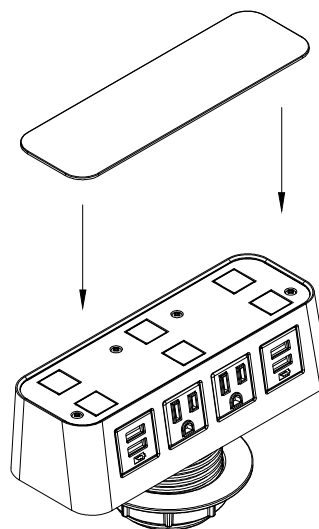
Align the Snap-in Adhesive pads to the top of the unit.

2



Peel off the adhesive backing on six places.

3



4

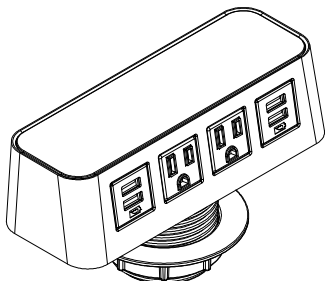
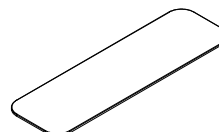


TABLE OF CONTENTS:



.....1 X PCS67G Top



.....6 X Snap-in Adhesive Pad