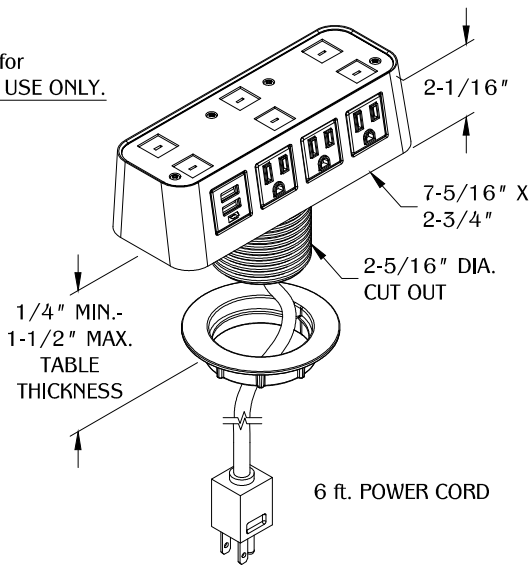
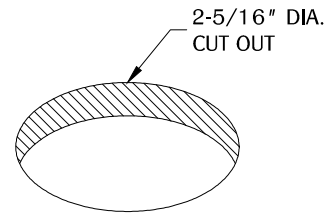


USB plugs for CHARGING USE ONLY.

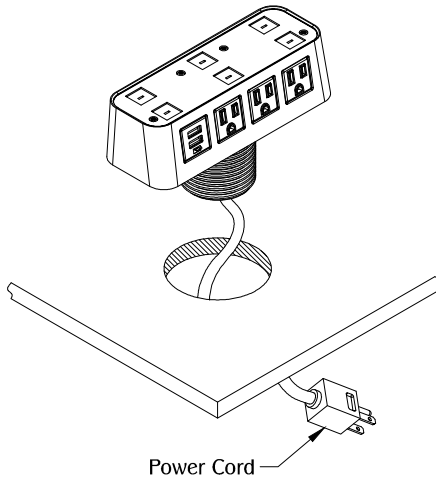


1

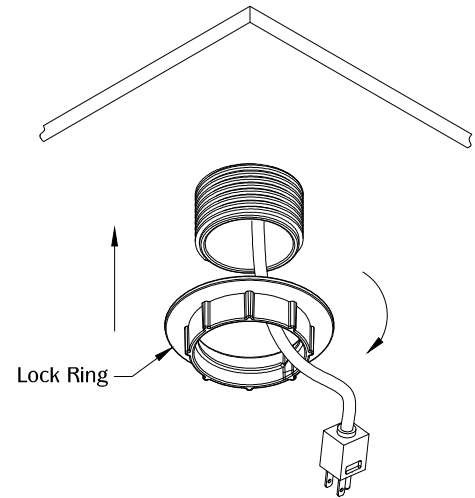


Make a cut out in the desired work surface.

2



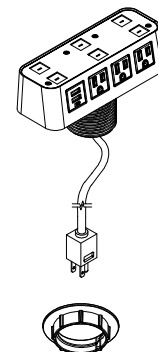
3



Guide the power cord through the cut out. Install PCS67G/3/U1 into the cut out and make sure it is fully leveled onto surface.

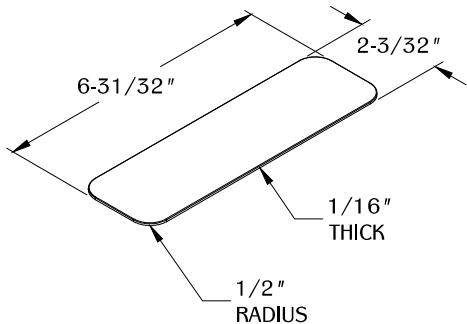
Guide the power cord through the lock ring. Secure the unit by turning the lock ring clockwise.

TABLE OF CONTENTS:

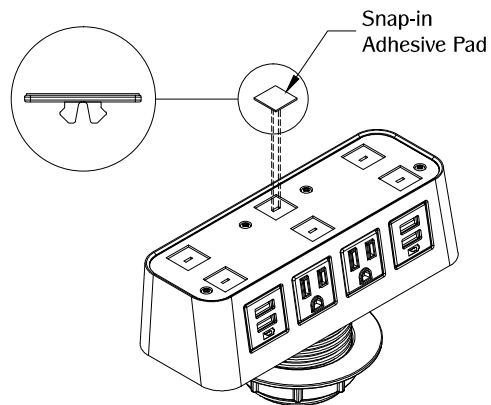


.....1 X PCS67G/3/U1

.....1 X Lock Ring

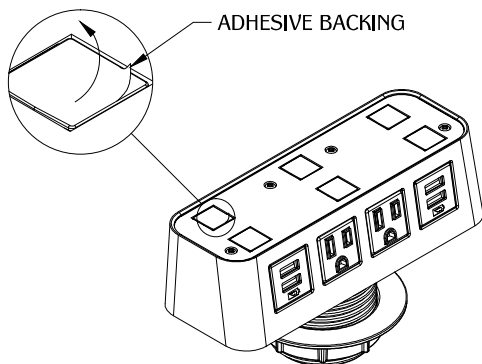


1



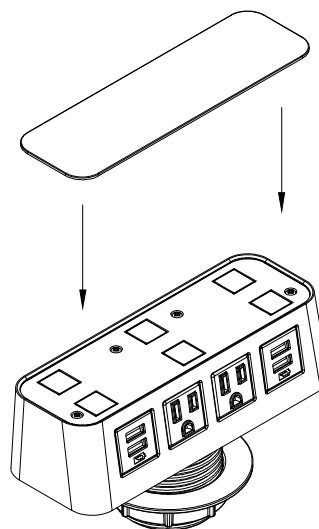
Align the Snap-in Adhesive pads to the top of the unit.

2



Peel off the adhesive backing on six places.

3



4

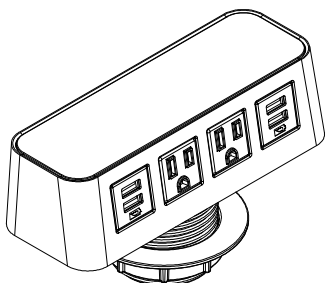
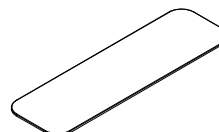


TABLE OF CONTENTS:



.....1 X PCS67G Top



.....6 X Snap-in Adhesive Pad