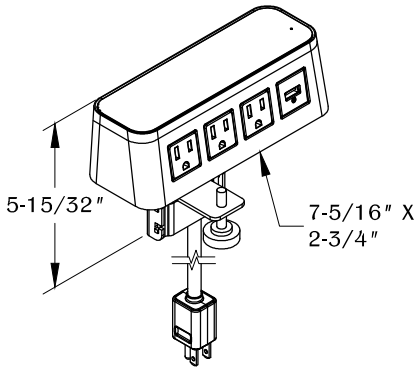
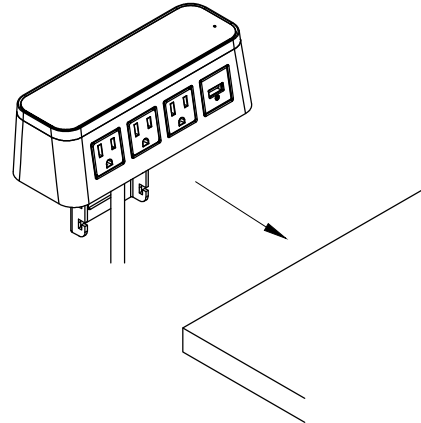


NOTE:

- 6 ft. Cord.
- Table thickness *see STEP 2.*
- USB port are for charging use ONLY.
- For use on a normally dry work surface.
- Mobile device must be equipped with a wireless charging receiver (Wireless charging accessories not included.) Check mobile manufacturer for compatibility.
- Wireless output 5W Max.

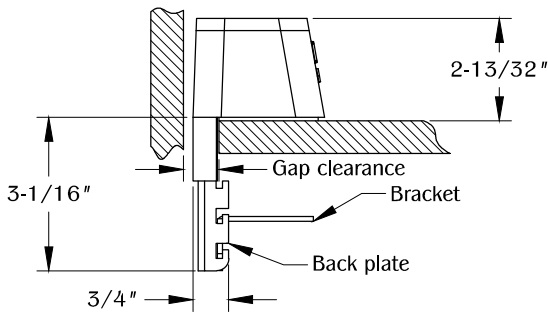


1



Install the unit at the desired edge of the work surface. Make sure the unit is fully leveled on the work surface.

2



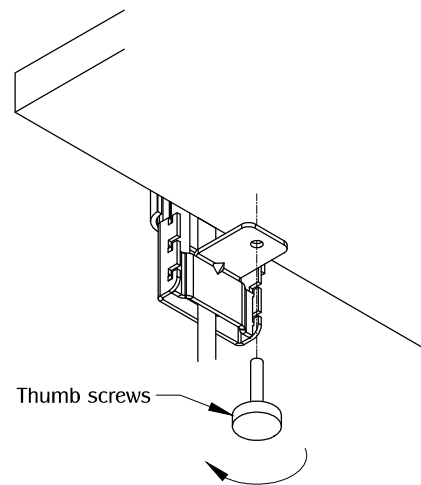
Bottom Orientation

1-1/4" MIN. to 2-3/4" MAX.
Table thickness 7/8" MIN. Gap clearance

Top Orientation

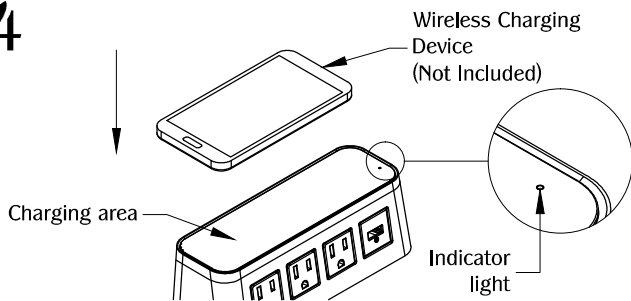
1/2" MIN. to 1-3/4" MAX.
Table thickness 3/4" MIN. Gap clearance

3



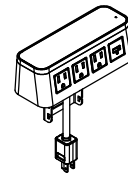
Align the thumb screw to secure the unit by turning clockwise.

4



Position the mobile device on the center of the charging area. The indicator light will blink a blue light to signify that the device is actively charging or the charging icon will activate on the device's screen. The indicator light will show a red light when the device is not aligned at the center of the charging area.

TABLE OF CONTENTS:



.....1X PCS67E/WC



.....1X Clamp



.....1X Thumb Screw