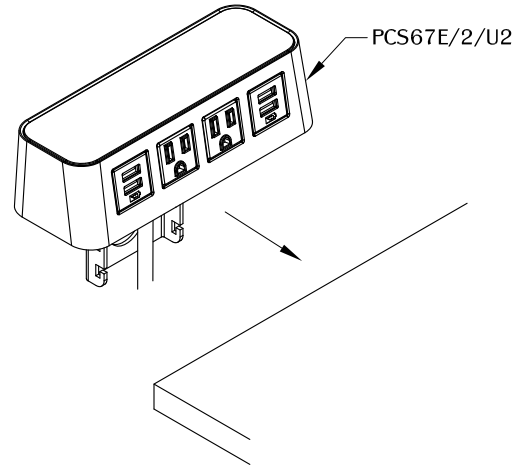


NOTE:

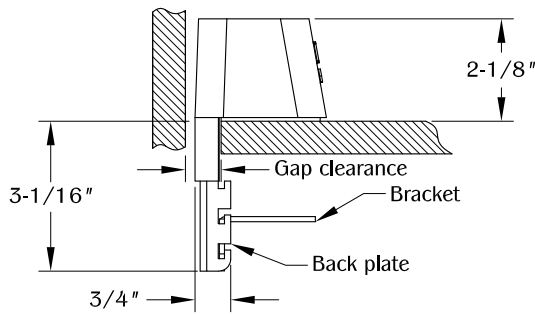
- 6 ft. cord length.
- For use on a normally dry work surface.
- Plug dimension is 1-11/32" X 1-1/32" X 7/8".
- USB-A ports are for charging use only.
- See Step 2 for table thickness.

1



Install the unit at the desired edge of the work surface. Make sure the unit is fully leveled onto the work surface. Allow enough clearance for unit operation. Do NOT place unit where cable is strained or trapped.

2

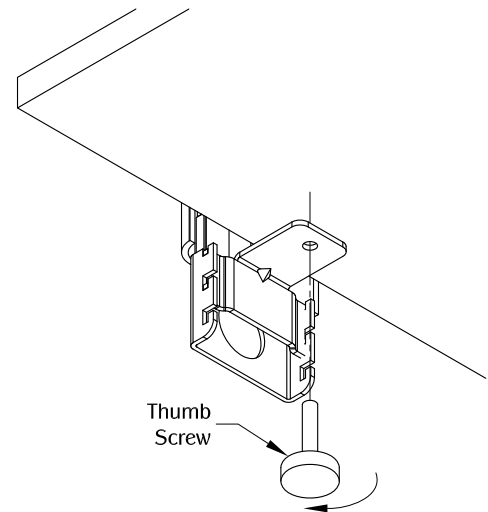


Bottom Orientation
 1-1/4" MIN. to 2-3/4" MAX.
 Table thickness 7/8" MIN. Gap clearance

Top Orientation
 1/2" MIN. to 1-3/4" MAX.
 Table thickness 3/4" MIN. Gap clearance

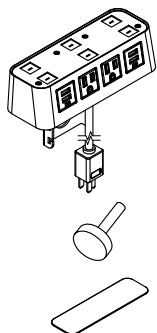
Determine the table thickness and orientation of the bracket. Install the bracket to the back plate of the unit.

3



Secure the unit by aligning the thumb screw to the bracket and turning clockwise.

TABLE OF CONTENTS:



..... 1X PCS67E/2/U2

..... 1X Thumb screw

..... 2X Top



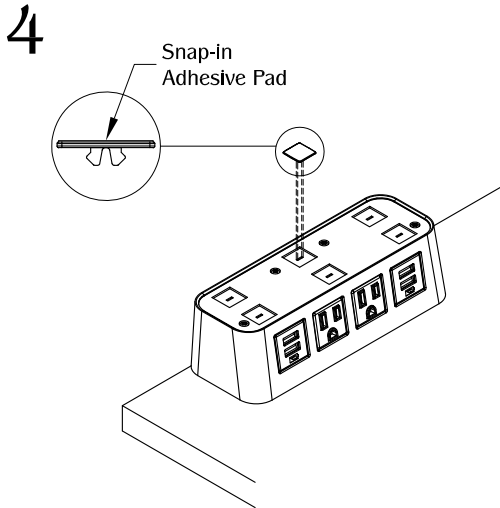
..... 1X Bracket



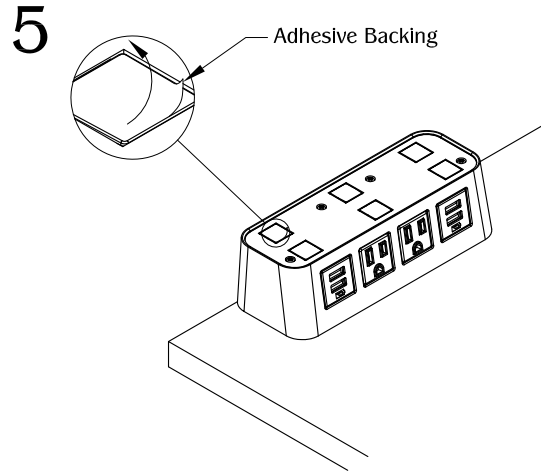
..... 6X Snap-in Adhesive Pad



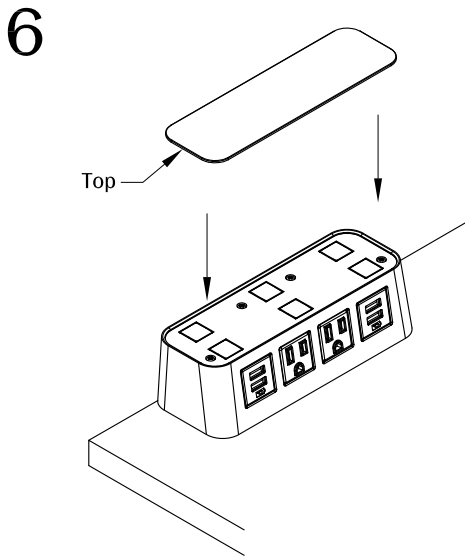
..... 1X Wire Manager



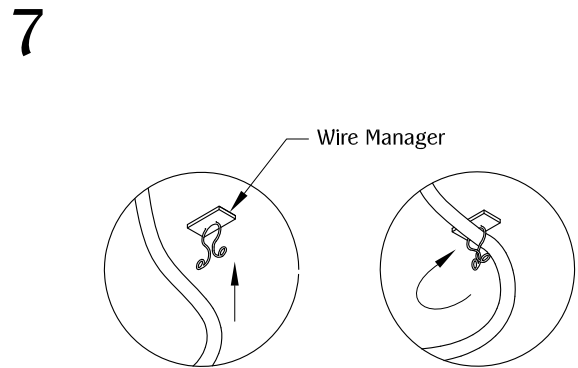
Align the snap-in adhesive pads to the top of the unit.



Peel off the adhesive backing on all six snap-in adhesive pads.



Align the top to the unit. Make sure it is fully leveled onto the top surface. Plug the unit into a nearby outlet and unit is ready for use.



Optional wire manager.