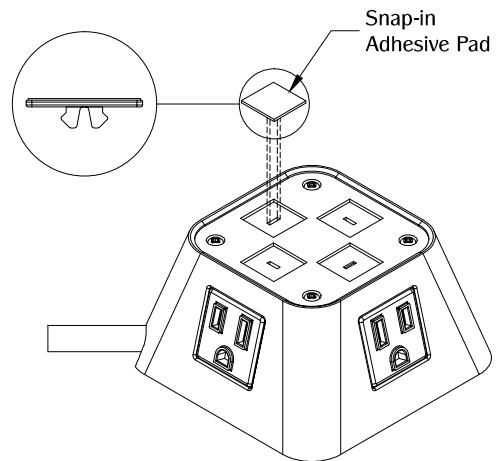
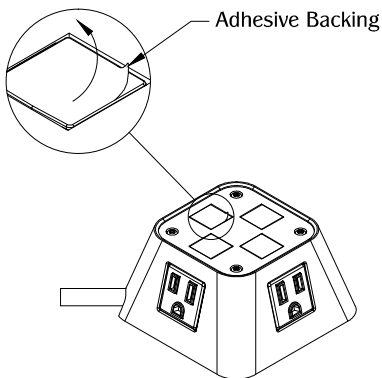


1



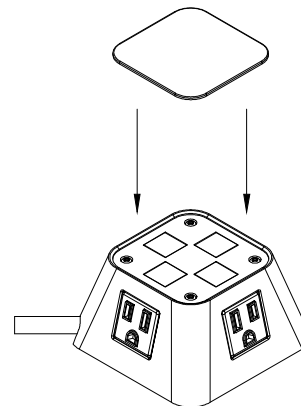
Align the Snap-in Adhesive pads to the top of the unit.

2



Peel off the adhesive backing on 4 places.

3



4

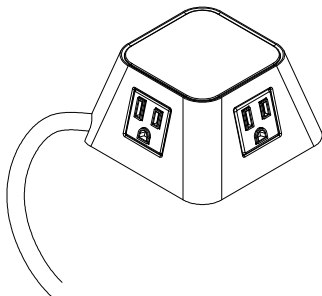


TABLE OF CONTENTS:



.....1 X PCS66T Top



.....4 X Snap-in Adhesive Pad