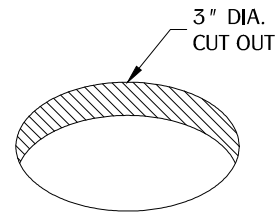
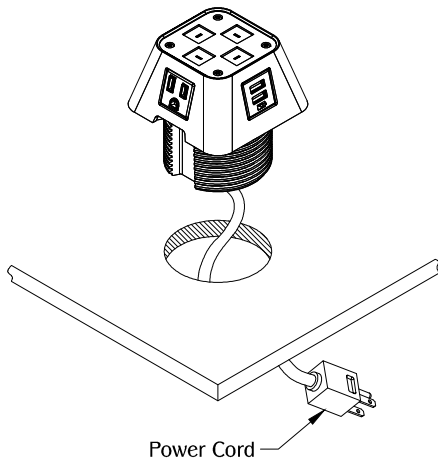


1



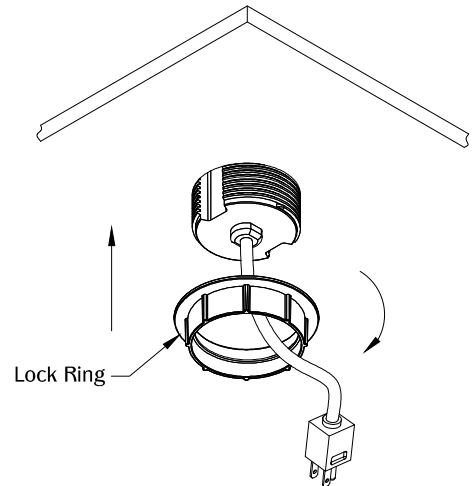
Make a cut out in the desired work surface.

2



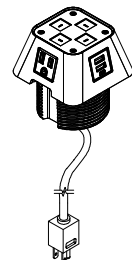

Guide the power cord through the cut out. Install PCS66G/2/U2 into the cut out and make sure it is fully leveled onto surface.

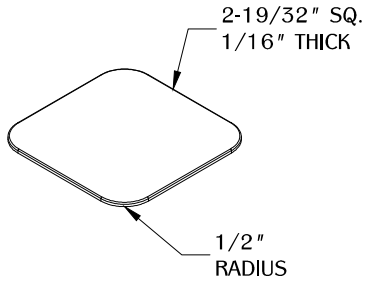
3



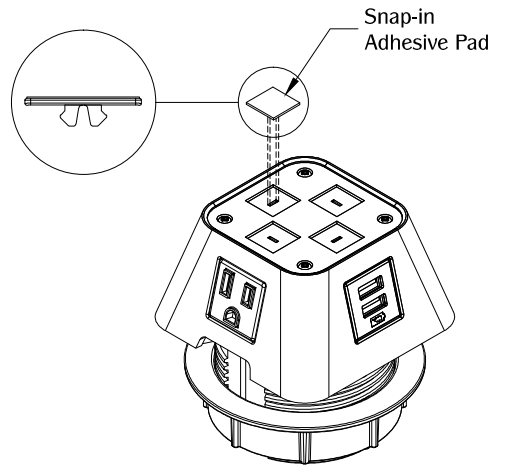
Guide the power cord through the lock ring. Secure the unit by turning the lock ring clockwise.

TABLE OF CONTENTS:

1 X PCS66G/2/U2
1 X Lock Ring

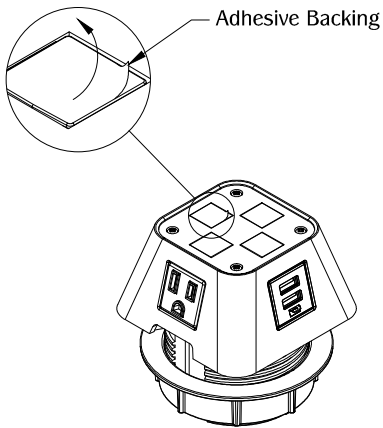


1



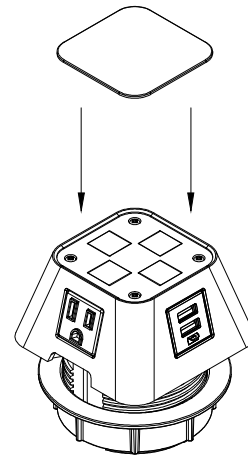
Align the Snap-in Adhesive pads to the top of the unit.

2



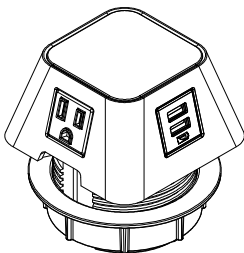
Peel off the adhesive backing on 4 places.

3



Align the top to the unit.

4



Press down gently to secure the top.

TABLE OF CONTENTS:



.....1 X PCS66G Top



.....4 X Snap-in Adhesive Pad