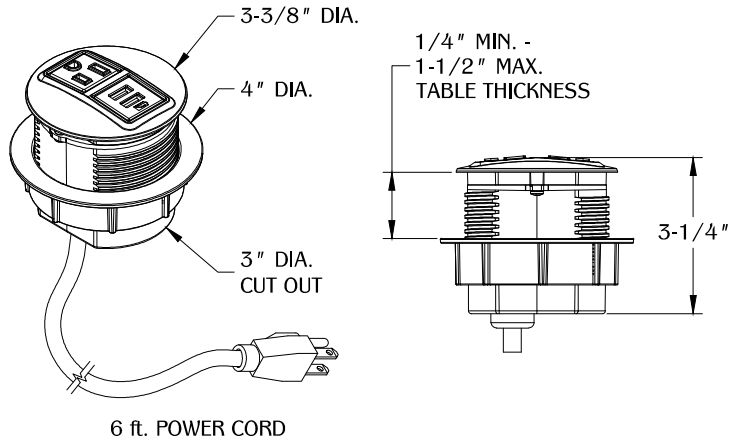
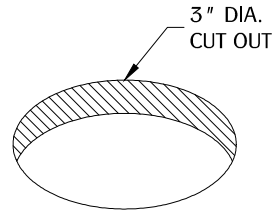


USB plugs for CHARGING USE ONLY.

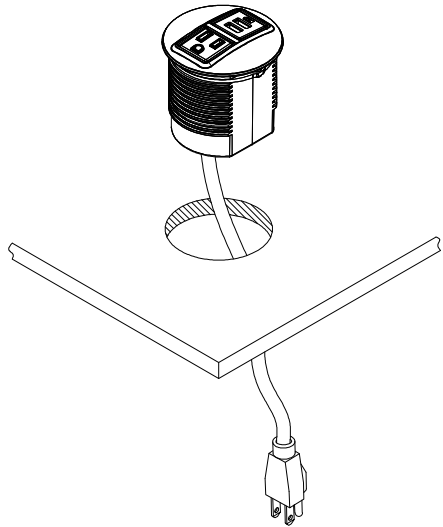


1



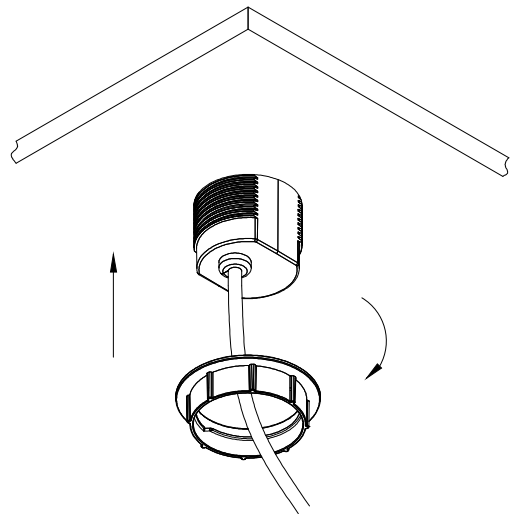
Make a cut out in the desired work surface.

2



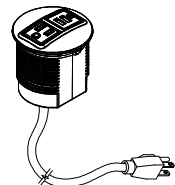

Remove the Lock ring. Guide the power cord through the cut out. Install PCS65/USB into the cut out and make sure it is fully leveled onto surface.

3



Put back the Lock ring through the power cord. Secure the unit by turning the lock ring clockwise.

TABLE OF CONTENTS:

1 X PCS65/USB
1 X Lock Ring