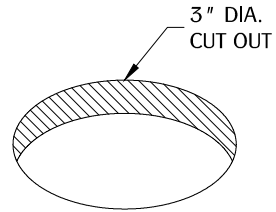
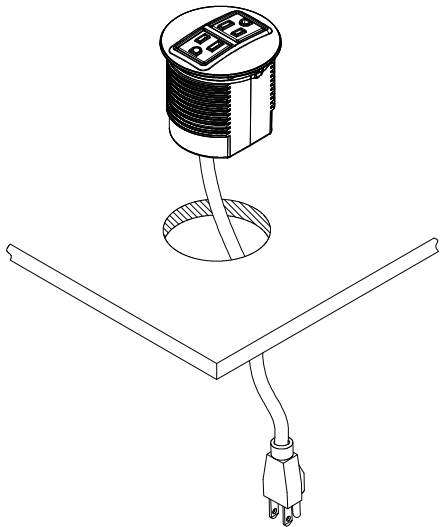


1



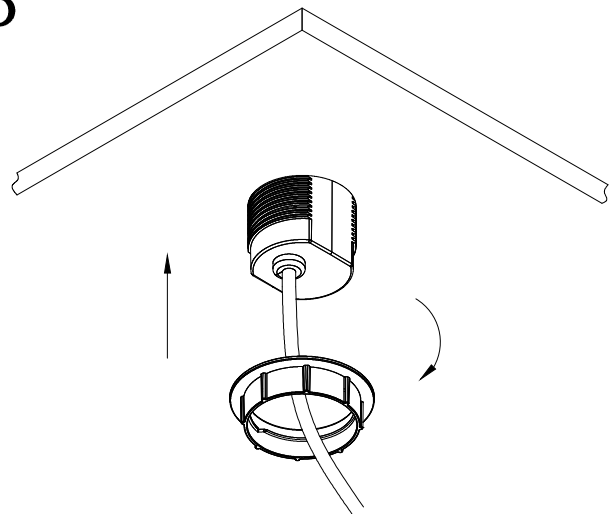
Make a cut out in the desired work surface.

2



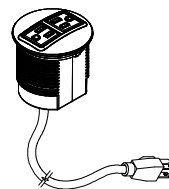
Remove the Lock ring. Guide the power cord through the cut out. Install PCS65/EE into the cut out and make sure it is fully leveled onto surface.

3



Guide the Lock ring through the power cord. Secure the unit by turning the lock ring clockwise.

TABLE OF CONTENTS:



.....1 X PCS65/EE



.....1 X Lock Ring