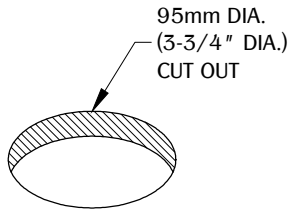


1

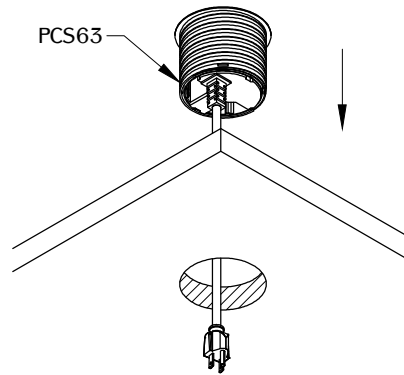


NOTE:

- Table thickness is 1/2" MIN. to 2" MAX.
- See STEP #4 & #5 for optional data insert.

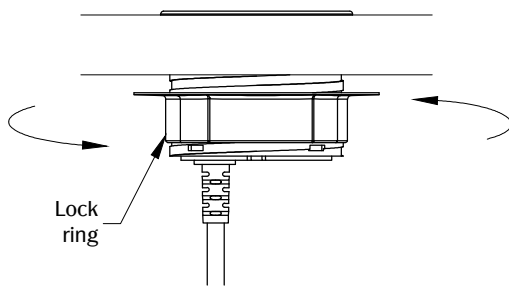
Make a cut out in the desired location on your work surface. Place near a power outlet and allow enough clearance for unit operation. **DO NOT** place unit where the cable is strained or trapped.

2



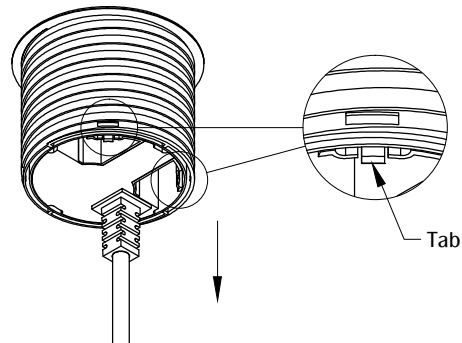
Remove the Threaded Lock Ring. Guide the power cord through the cut out and install the unit into the cut out and make sure it is fully leveled onto the surface.

3



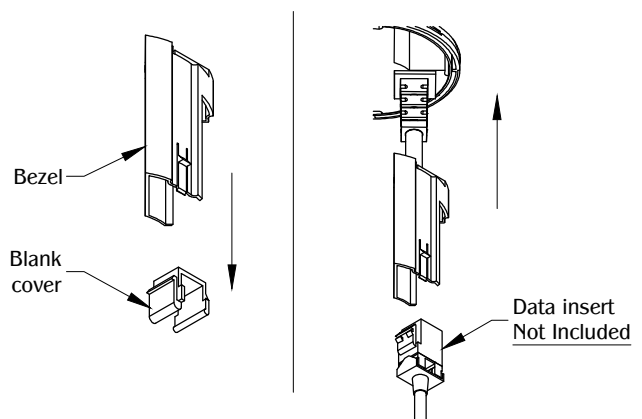
Guide the Threaded Lock ring through the power cord. Screw threaded lock ring onto mounting collar by turning clockwise. Locking ring should rotate smoothly if properly engaged. If not, the locking ring may be cross-threaded - undo and try again.

4 Optional Keystone



Pull the tab out and pull down the bezel for the keystone data.

5



Remove the blank cover from the bezel. Assemble the keystone data. Snap the keystone data to bezel. Align and install the bezel back into the unit. (Note: Use Keystone compatible data insert ONLY.)

TABLE OF CONTENTS:

1 X PCS63

1 X Lock ring



WARNING

- USB ports are for charging use only.
- For indoor use only.
- If any malfunction occurs, do not attempt to repair.
- Do not insert foreign objects into power outlets.
- For counter top mounting.
- Risk of electric shock. (Do not plug into another relocatable power tap.)
- Do not plug in equipment that exceeds the amperage rating of the unit.