

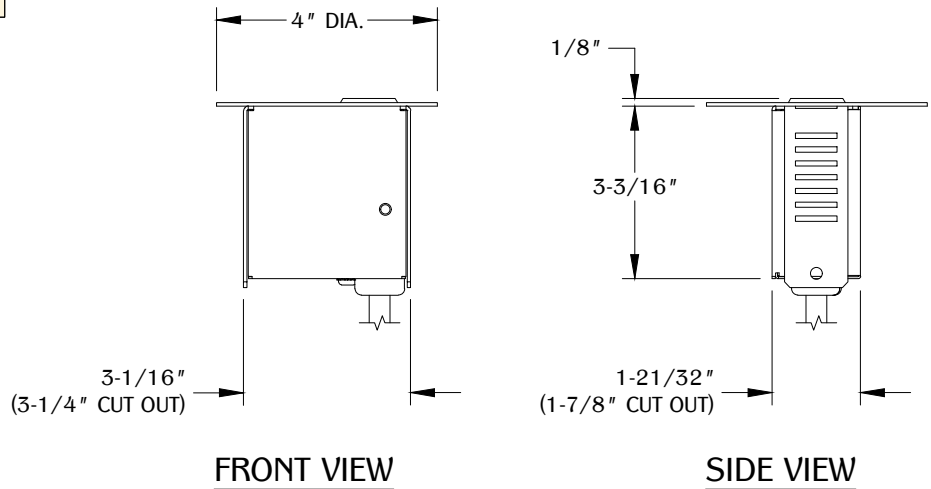
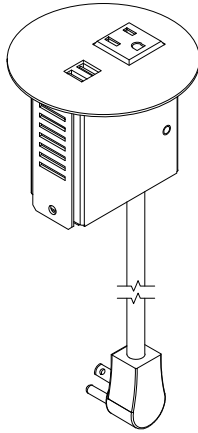
PART #

PCS62M/R/UE

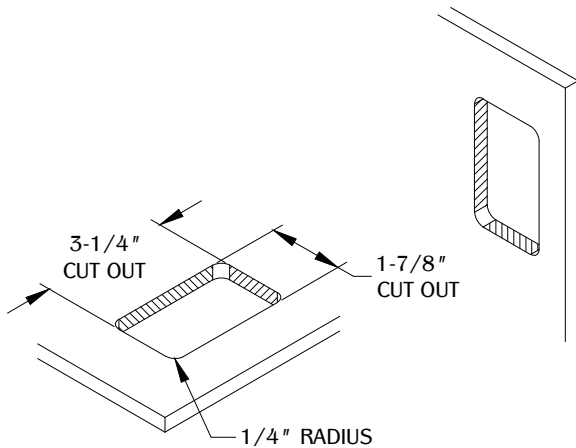
310.318.2491 • 800.523.1269 • www.mockett.com

NOTE:

- USB ports are for charging use ONLY.
- 9 ft. cord.
- Table thickness is 1/2" Min. to 2" Max.

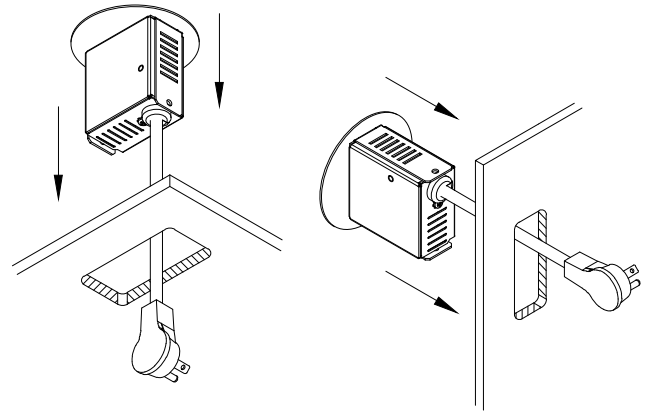


1



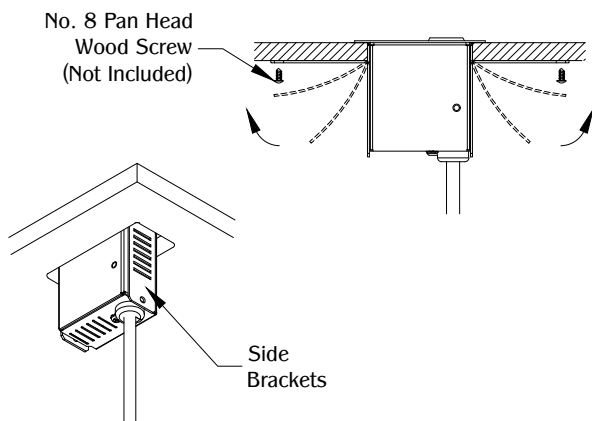
Determine the position and location of the unit on the work surface. Cut the hole at 3-1/4" X 1-7/8". Place and allow unit operation. Do not place unit where the cable is strained or trapped.

2



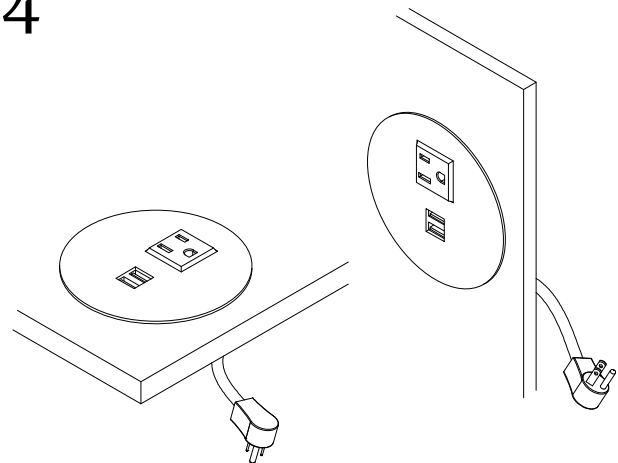
Guide the power cord through the cut out. Install the unit into the cut out and make sure it is fully leveled on the work surface.

3



Bend the (2) side brackets and use (2) pan head wood screws to secure unit under the work surface.

4



Plug the unit into nearby outlet and unit is ready for use.