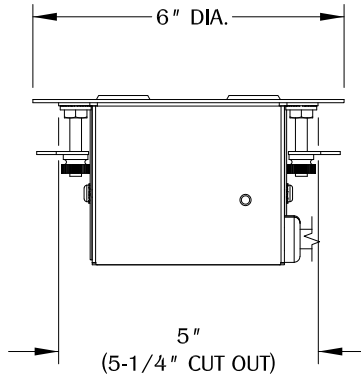
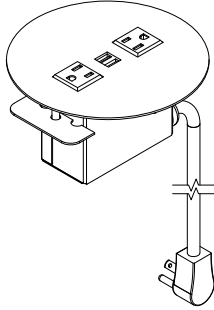


PART #
PCS62B/R/USB

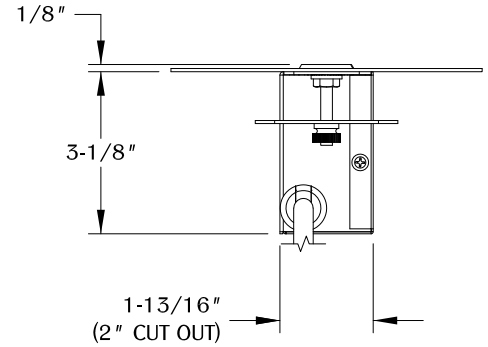
310.318.2491 • 800.523.1269 • www.mockett.com

NOTE:

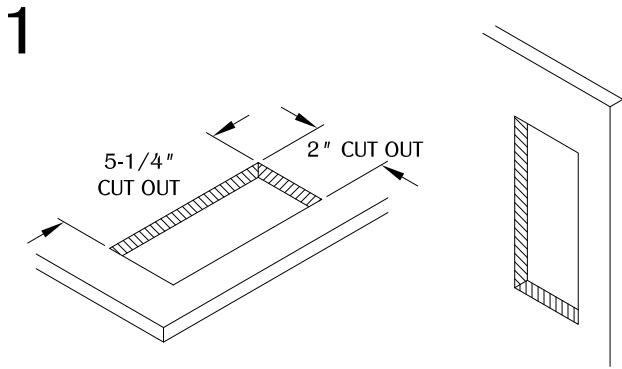
- USB ports are for charging use only.
- 9 ft. cord.
- Table thickness is 3/4" Min. to 1-1/4" Max.



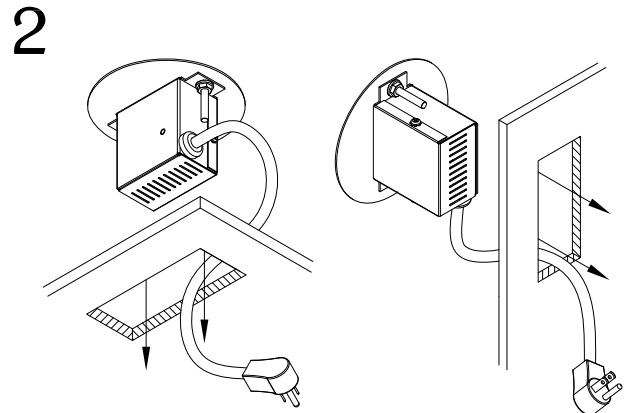
FRONT VIEW



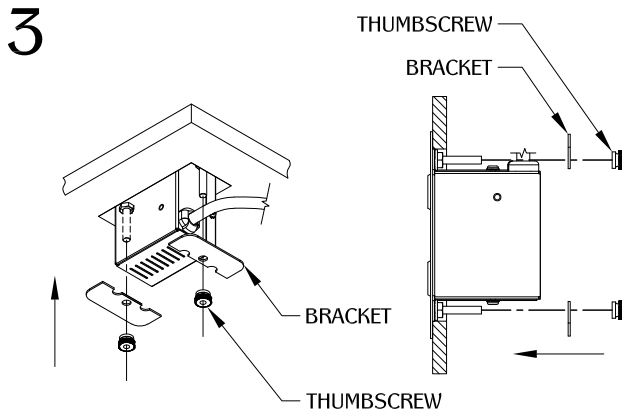
SIDE VIEW



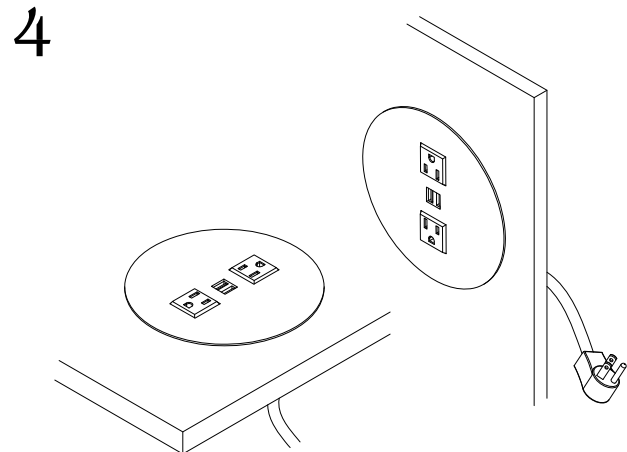
Determine the position and location of the unit on the work surface. Cut the hole at 5-1/4" X 2". Place and allow unit operation. Do not place unit where the cable is strained or trapped.



Guide the power cord through the cut out. Install the unit into the cut out and make sure it is fully leveled on the work surface.

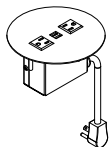


Align the (2) bracket and (2) thumbscrew to the mounting screws under the unit and tighten to secure the unit.



Plug the unit into nearby outlet and unit is ready for use.

TABLE OF CONTENTS:



.....1X PCS62B/R/USB



.....2X Bracket



.....2X Thumbscrew