

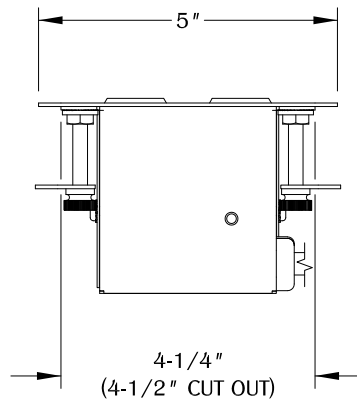
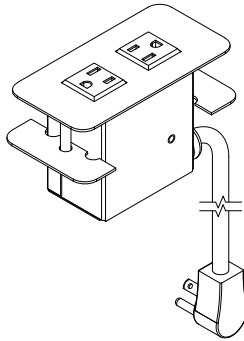
PART #

PCS62A/EE

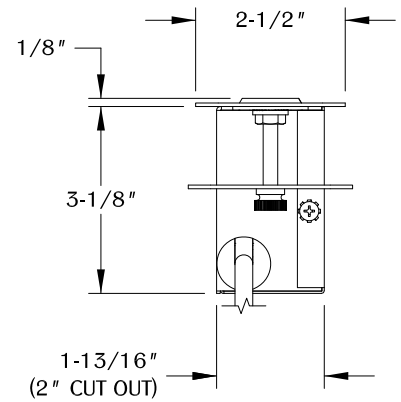
310.318.2491 • 800.523.1269 • www.mockett.com

NOTE:

- 9 ft. cord.
- Table thickness is 3/4" Min. to 1-1/4" Max.

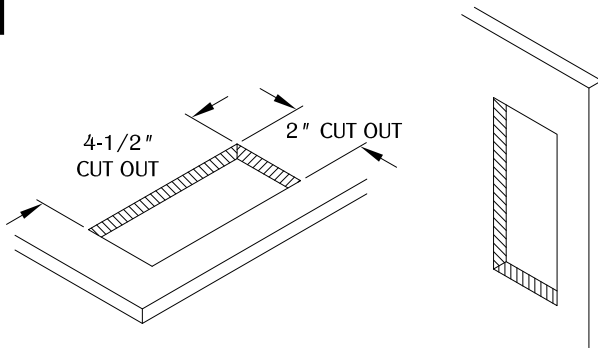


FRONT VIEW



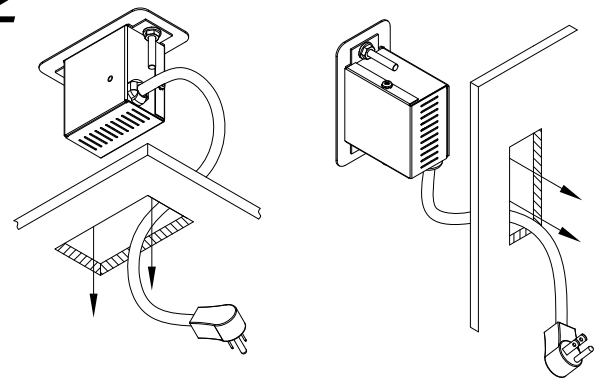
SIDE VIEW

1



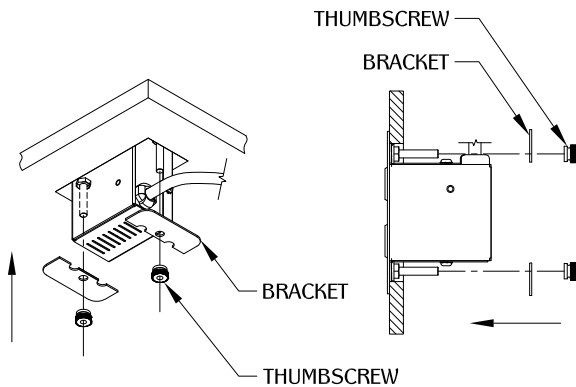
Determine the position and location of the unit on the work surface. Cut the hole at 4-1/2" X 2". Place and allow unit operation. Do not place unit where the cable is strained or trapped.

2



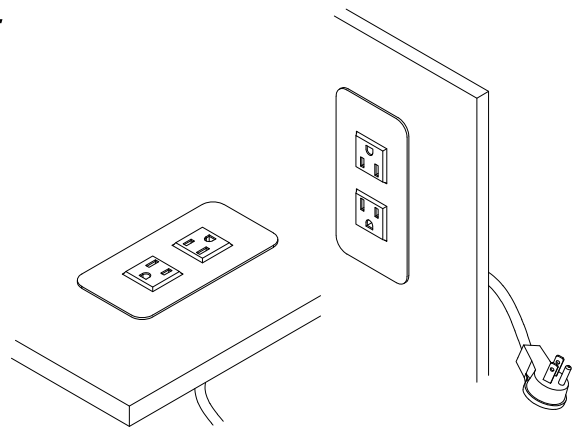
Guide the power cord through the cut out. Install the unit into the cut out and make sure it is fully leveled on the work surface.

3



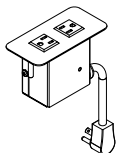
Align the (2) bracket and (2) thumbscrew to the mounting screws under the unit and tighten to secure the unit.

4

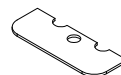


Plug the unit into nearby outlet and unit is ready for use.

TABLE OF CONTENTS:



.....1X PCS62A/EE



.....2X Bracket



.....2X Thumbscrew