

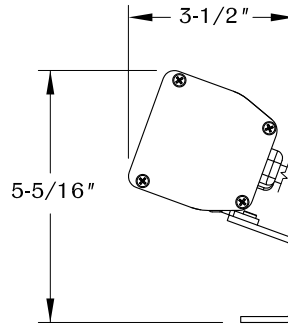
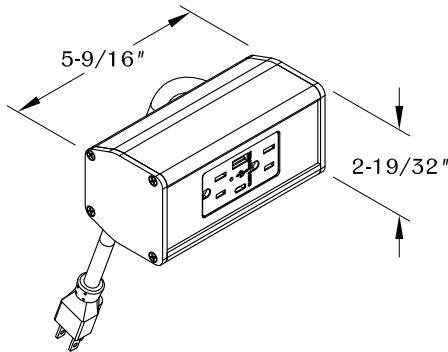
PART #

PCS61E

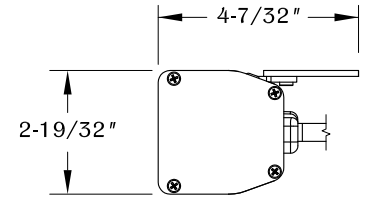
310.318.2491 • 800.523.1269 • www.mockett.com

NOTE:

- USB-A and USB-C ports are for charging use ONLY.
- 6 ft. cord.
- Table thickness is 3/4" Min. to 1-1/2" Max. with edge mount.
- Table thickness is 3/4" Min. with under mount.



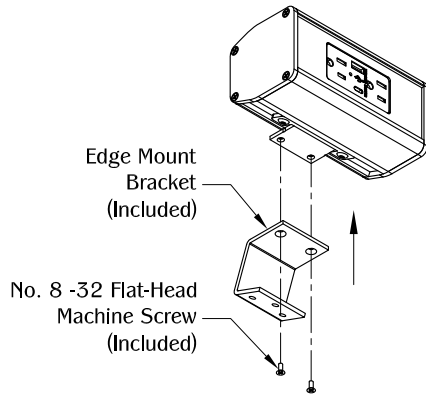
**RIGHT VIEW**  
Edge Mount



**RIGHT VIEW**  
Under Mount

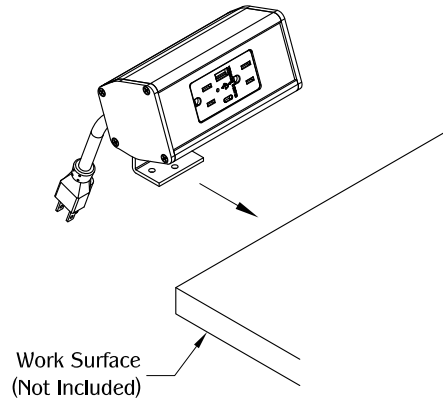
OPTION A - Edge Mount

1



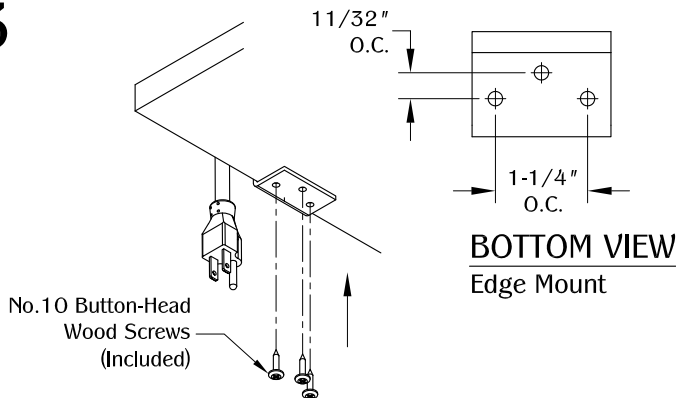
Attach the edge mount bracket to the unit by using (2) flat-head machine screws.

2



Determine position and location of the unit on the edge of the work surface. DO NOT place unit where cable is strained or trapped.

3



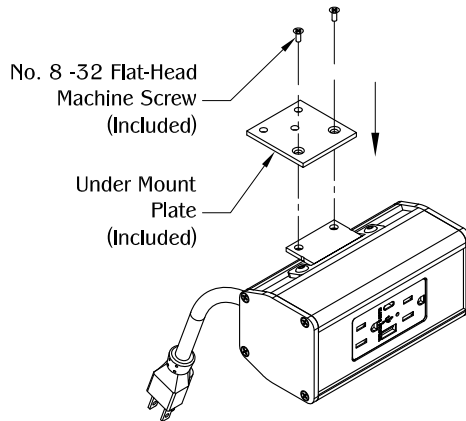
**BOTTOM VIEW**  
Edge Mount

Secure the unit on the edge of the work surface by using (3) button-head wood screws. Plug into nearby outlet and unit is now ready for use.

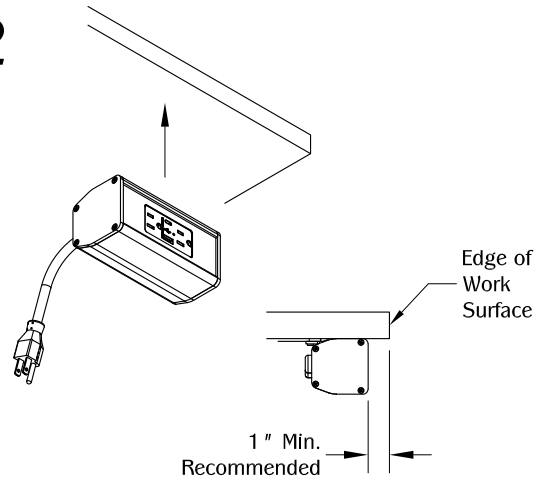
TABLE OF CONTENTS:

	..... 1X PCS61E
	..... 1X Edge Mount Bracket
	..... 1X Under Mount Plate
	..... 2X 5/16" No. 8 -32 Thread Flat-Head Machine Screw
	..... 3X 3/4" No. 10 Button-Head Wood Screw

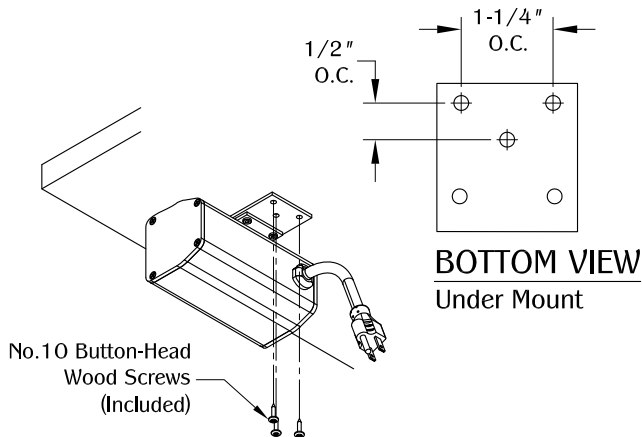
## OPTION B - Under Mount

**1**

Attach the under mount plate to the unit by using (2) flat-head machine screws.

**2**

Determine position and location of the unit under the work surface. DO NOT place unit where cable is strained or trapped.

**3**

Secure the unit under the work surface by using (3) button-head wood screws. Plug into nearby outlet and unit is now ready for use.