

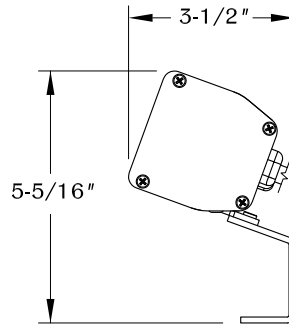
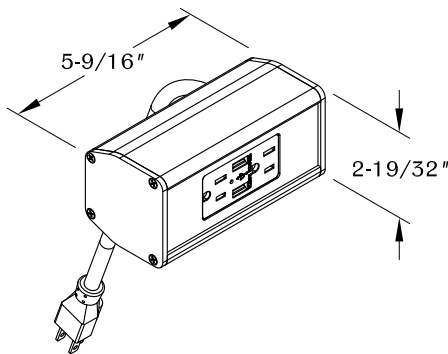
PART #

PCS61C

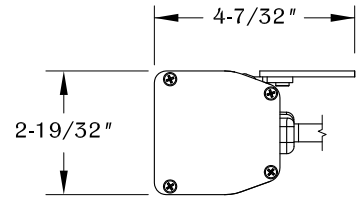
310.318.2491 • 800.523.1269 • www.mockett.com

NOTE:

- USB ports are for charging use ONLY.
- 6 ft. cord.
- Table thickness is 3/4" Min. to 1-1/2" Max. with edge mount.
- Table thickness is 3/4" Min. with under mount.



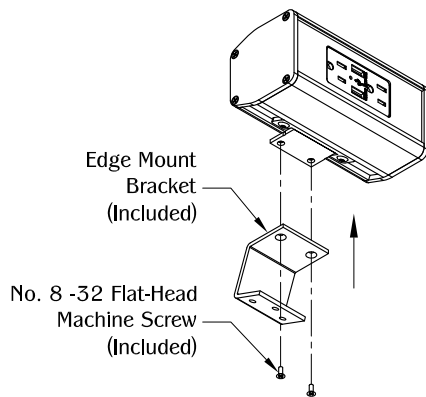
RIGHT VIEW
Edge Mount



RIGHT VIEW
Under Mount

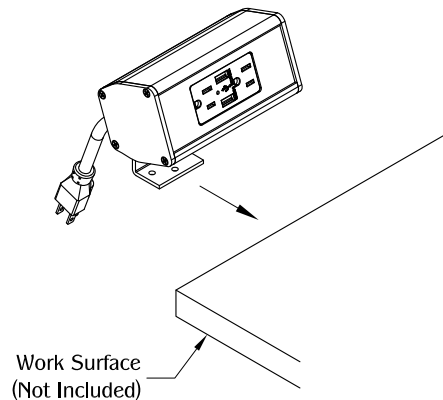
OPTION A - Edge Mount

1



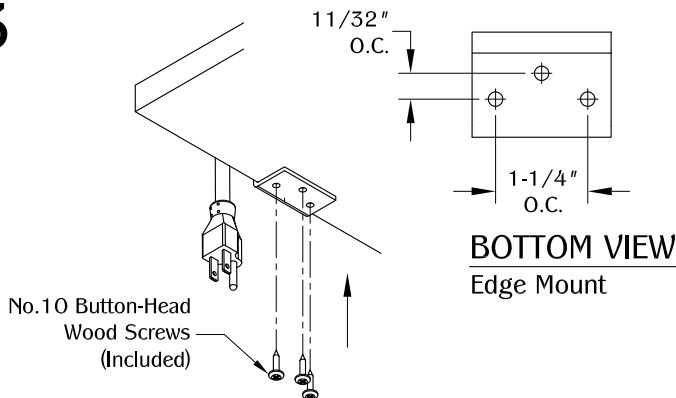
Attach the edge mount bracket to the unit by using (2) flat-head machine screws.

2



Determine position and location of the unit on the edge of the work surface. **DO NOT** place unit where cable is strained or trapped.

3



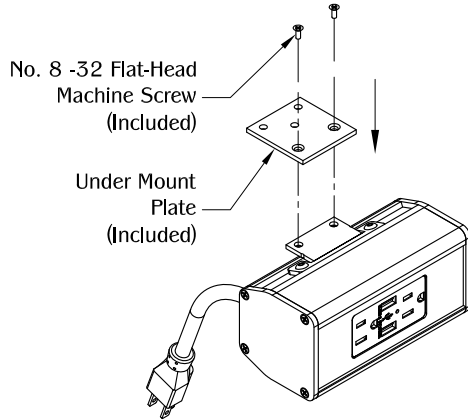
Secure the unit on the edge of the work surface by using (3) button-head wood screws. Plug into nearby outlet and unit is now ready for use.

TABLE OF CONTENTS:

	1X PCS61C
	1X Edge Mount Bracket
	1X Under Mount Plate
	2X 5/16" No. 8 -32 Thread Flat-Head Machine Screw
	3X 3/4" No. 10 Button-Head Wood Screw

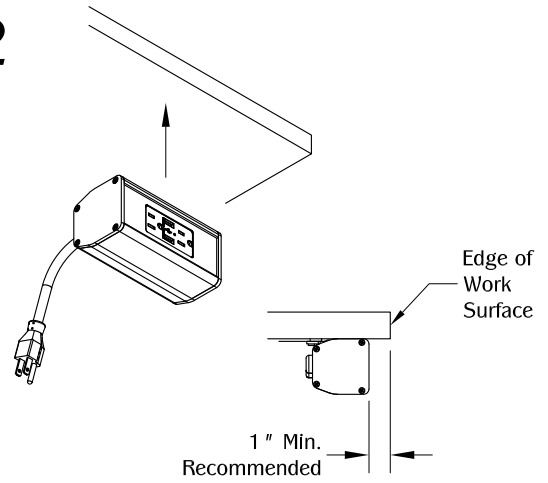
OPTION B - Under Mount

1



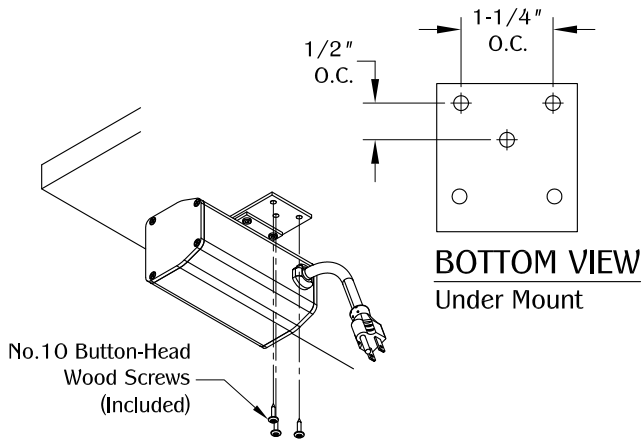
Attach the under mount plate to the unit by using (2) flat-head machine screws.

2



Determine position and location of the unit under the work surface. DO NOT place unit where cable is strained or trapped.

3



Secure the unit under the work surface by using (3) button-head wood screws. Plug into nearby outlet and unit is now ready for use.