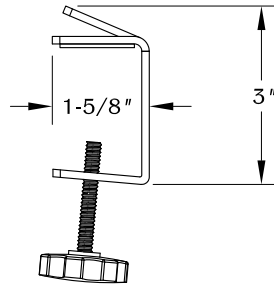
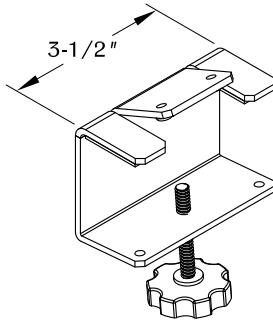


PART # **PCS61-CLAMP**

310.318.2491 • 800.523.1269 • www.mockett.com

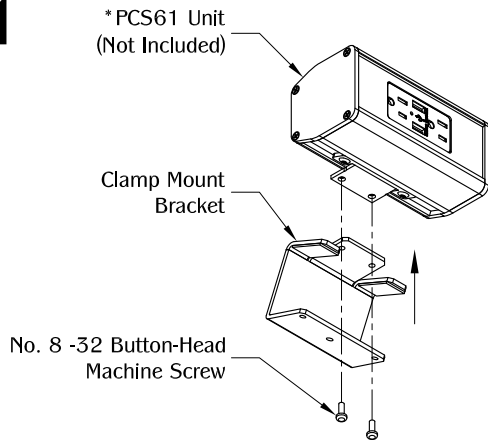
NOTE:

- PCS61 unit NOT INCLUDED with clamp mount. PCS61 unit sold separately.
- Table thickness is 1/2" Min. to 2" Max.



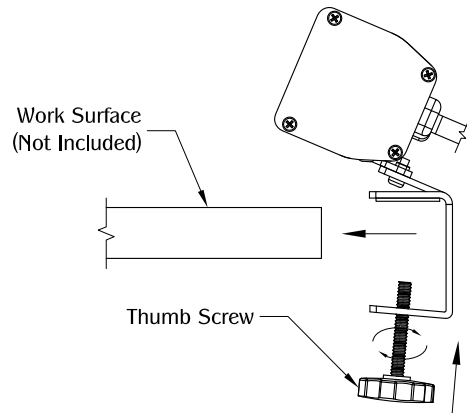
RIGHT VIEW

1



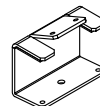
Attach the clamp mount bracket to the unit by using (2) button-head machine screws.

2



Determine position and location of the unit on the edge of the work surface. **DO NOT** place unit where cable is strained or trapped. Secure the unit to the work surface by using the thumb screw. Plug into nearby outlet and the unit is ready for use.

TABLE OF CONTENTS:



. 1X Clamp Mount Bracket



. 1X Thumb Screw



. 2X 1/4" No. 8 -32 Thread Button-Head Machine Screw