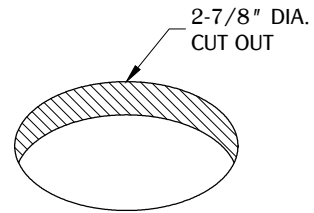
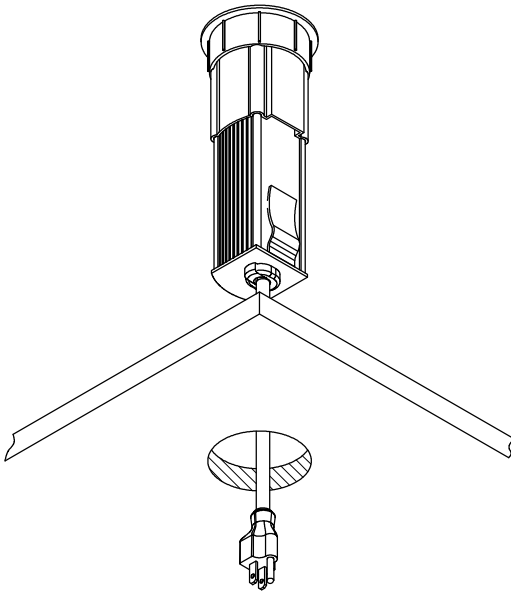


1



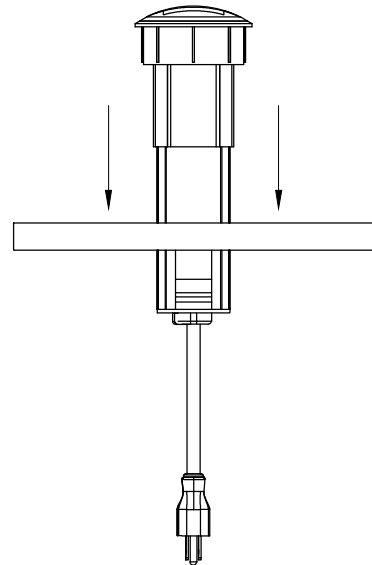
Make a cutout in the desired location on your work surface. Allow enough clearance for unit operation. DO NOT place unit where the cable is strained or trapped.

2



Guide the cord and drop the unit into the cut out.

3



Install the PCS6/USBC into the cut out and make sure the unit is fully leveled on the work surface.

NOTE:

All dimensions have a $(\pm)1/32"$ tolerance unless otherwise specified. We don't recommend drilling or cutting any holes before receiving a product or a product sample.

GENERAL INFORMATION

1. USB-C output 18W.
2. Qualcomm Quick Charge 3.0 compatible.
3. Charging speed may vary based on mobile device, tablet or laptops.
4. USB-C is for charging use only.