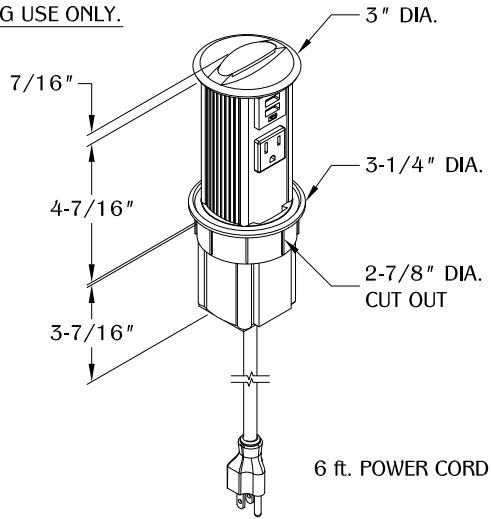
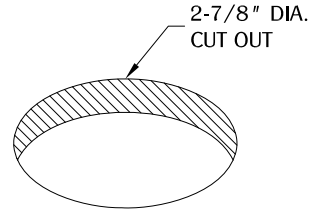


USB plugs for CHARGING USE ONLY.

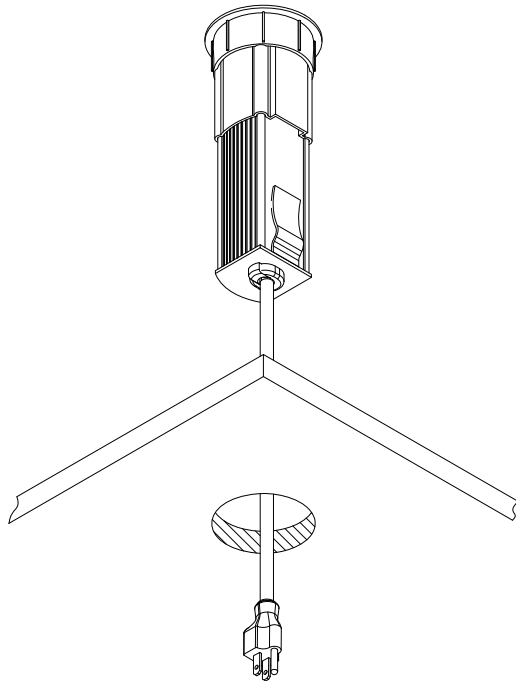


1



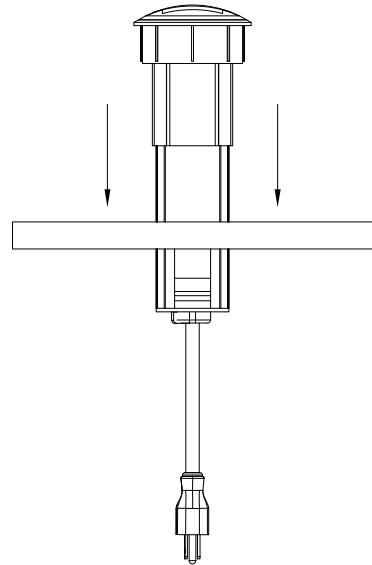
Make a cut out in the desired work surface. (Note: All dimensions have a $(\pm)1/32$ " tolerance unless otherwise specified. We don't recommend drilling or cutting any holes before receiving a product or a product sample.)

2



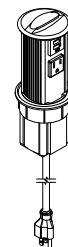
Guide the power cord through the cut out.

3



Install the PCS6/USB into the cut out and be leveled onto the work surface.

TABLE OF CONTENTS:



.....1 X PCS6/USB