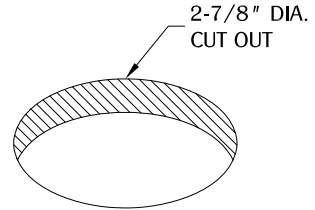
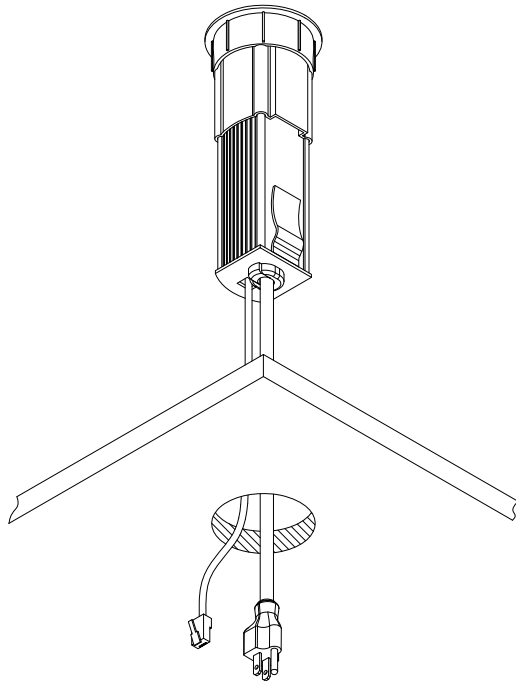


1



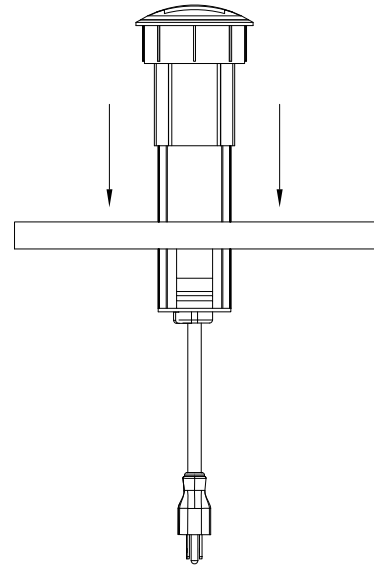
Make a cut out in the desired work surface. (Note: All dimensions have a $(\pm)1/32"$ tolerance unless otherwise specified. We don't recommend drilling or cutting any holes before receiving a product or a product sample.)

2



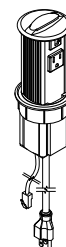
Guide the power cord and patch cord through the cut out.

3



Install the PCS6/DE/M into the cut out and be leveled onto the work surface.

TABLE OF CONTENTS:



.....1 X PCS6/DE/M