

PART #

PCS59

310.318.2491 • 800.523.1269 • www.mockett.com

161.00mm X 250.00mm
(6 11/32" X 9 27/32")
OVERALL

15A OVERCURRENT
RESET SWITCH

146.00mm X 236.00mm
(5-3/4" X 9-5/16")
CUT OUT

9' CORD

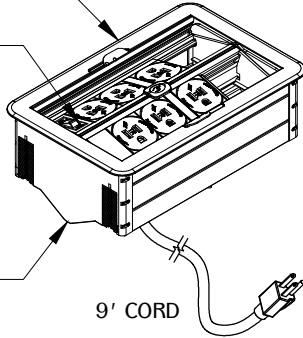
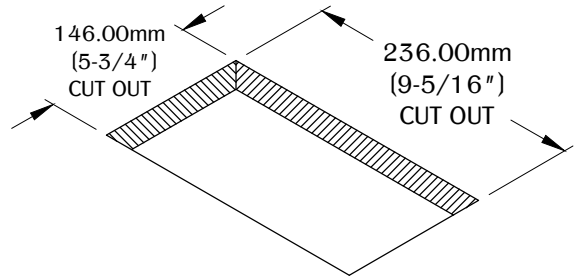


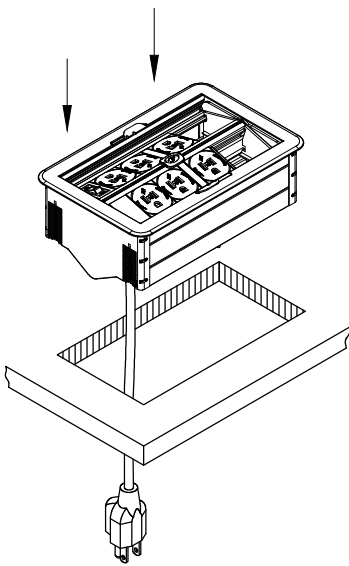
TABLE THICKNESS: 20.00mm MIN. to 38.00mm MAX.
(13/16" MIN. to 1-1/2" MAX.)

1

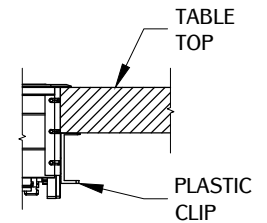
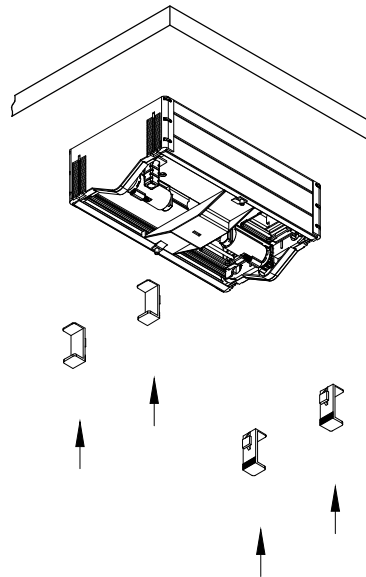


Determine the position and location of the unit on the work surface. Cut the hole at 146mm X 236mm (5-3/4" X 9-5/16").

2



3



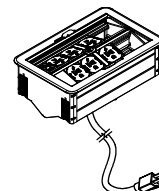
FRONT VIEW

INSERT
ANGLED
SIDE UP

Caution:

- To reduce the risk of electric shock use only indoors.
- Risk of electric shock. Do not plug into another relocatable power tap.

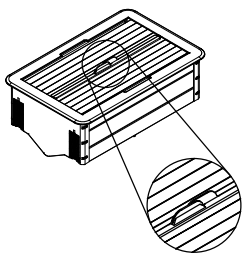
TABLE OF CONTENTS:



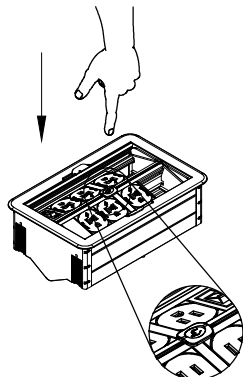
.....1 X PCS59



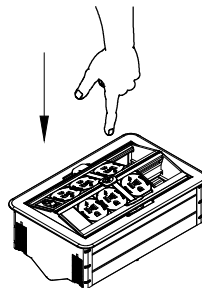
.....4 X PLASTIC CLIPS



Open and close sliding doors by separating the magnetic tabs



MUST push down on the button to release and elevate power module.



MUST push down on the release button to lock and lower power module.