

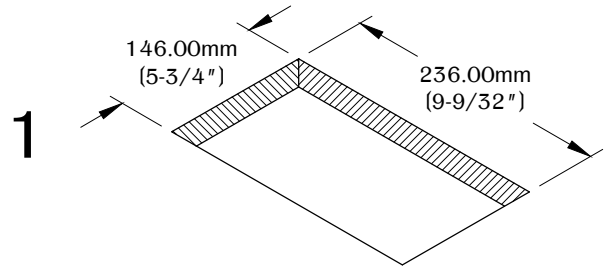
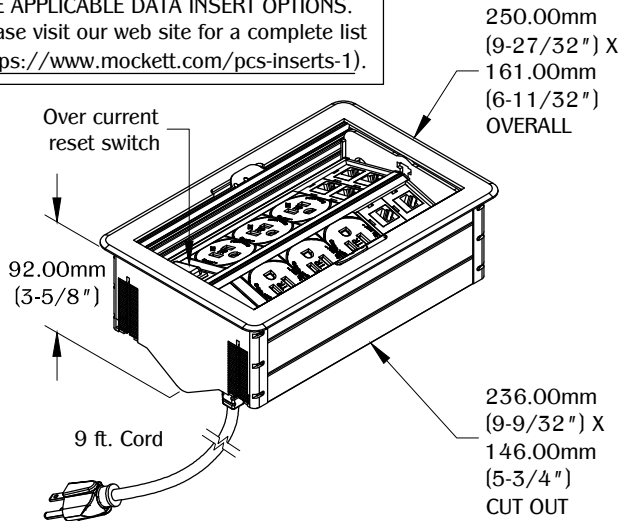
PART #

PCS59/M

310.318.2491 • 800.523.1269 • www.mockett.com

NOTE:

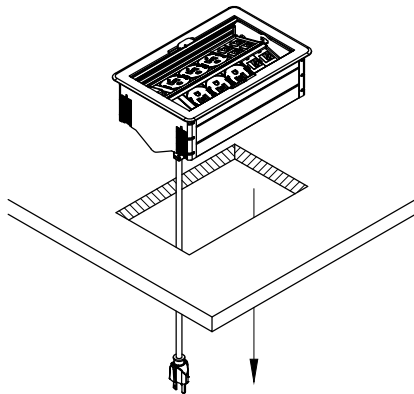
USE APPLICABLE DATA INSERT OPTIONS. Please visit our web site for a complete list (<https://www.mockett.com/pcs-inserts-1>).



Note: Table thickness is 20.00mm (13/16") MIN. to 38.00mm (1-1/2") MAX.

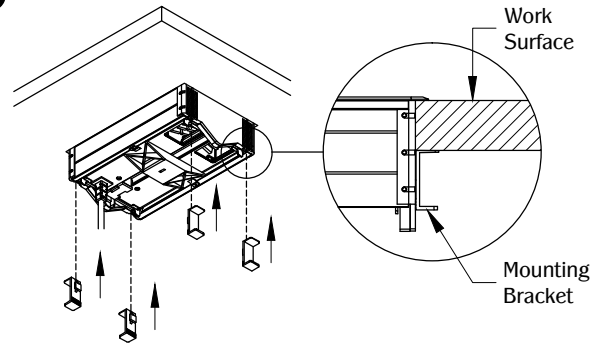
Determine the position and location of the unit on the work surface. Cut the hole at 9-9/32" X 5-3/4". Place and allow enough clearance for unit operation. DO NOT place unit where the cable is strained or trapped.

2



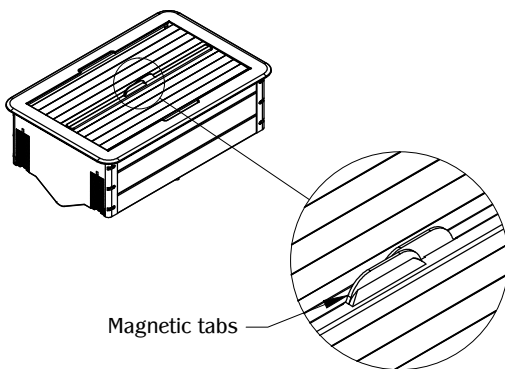
Guide the power cord through the cut out. Install the unit into the cut out and make sure it is fully leveled onto the surface.

3



Secure the unit by installing (4) mounting brackets on the sides of the unit.

4

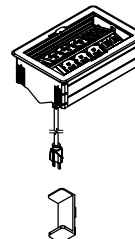


Slide the magnetic tabs apart to open the cover of the unit. Join the magnetic tabs together to close the unit.

CAUTION:

- To reduce the risk of electric shock use only indoors.
- Risk of electric shock. Do not plug into another relocatable power tap.
- Flip the over current reset switch, when the load exceeds the rated current.

TABLE OF CONTENTS:



.....1X PCS59/M

.....4X Mounting Bracket