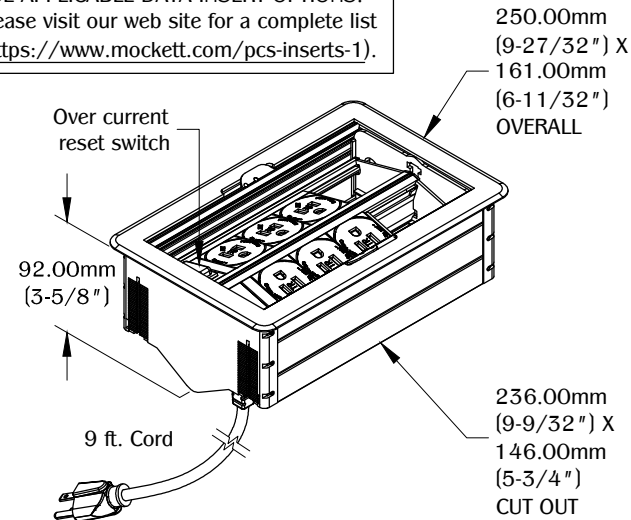
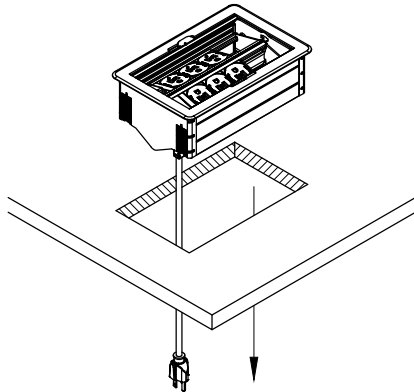


NOTE:

USE APPLICABLE DATA INSERT OPTIONS. Please visit our web site for a complete list (<https://www.mockett.com/pcs-inserts-1>).

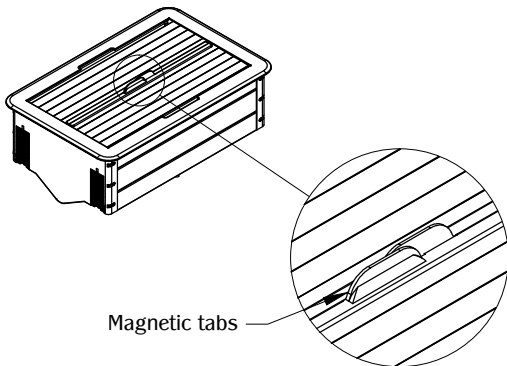


2



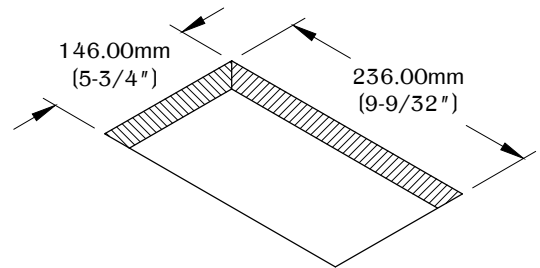
Guide the power cord through the cut out. Install the unit into the cut out and make sure it is fully leveled onto the surface.

4



Slide the magnetic tabs apart to open the cover of the unit. Join the magnetic tabs together to close the unit.

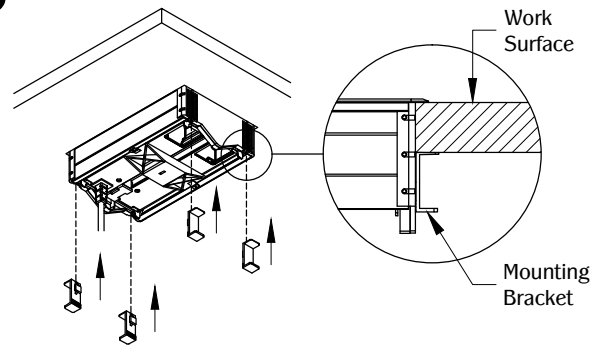
1



Note:
Table thickness is 20.00mm (13/16") MIN. to 38.00mm (1-1/2") MAX.

Determine the position and location of the unit on the work surface. Cut the hole at 9-9/32" X 5-3/4". Place and allow enough clearance for unit operation. DO NOT place unit where the cable is strained or trapped.

3

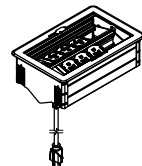



Secure the unit by installing (4) mounting brackets on the sides of the unit.

CAUTION:

- To reduce the risk of electric shock use only indoors.
- Risk of electric shock. Do not plug into another relocatable power tap.
- Flip the over current reset switch, when the load exceeds the rated current.

TABLE OF CONTENTS:

1X PCS59/M-U
4X Mounting Bracket