

PART #

PCS54F

310.318.2491 • 800.523.1269 • www.mockett.com

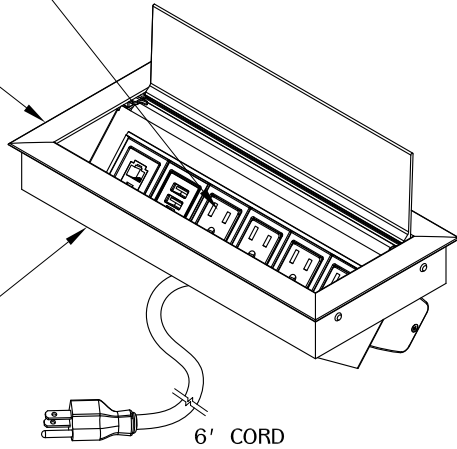
## INSTALLATION INSTRUCTIONS



USB plugs for CHARGING USE ONLY.

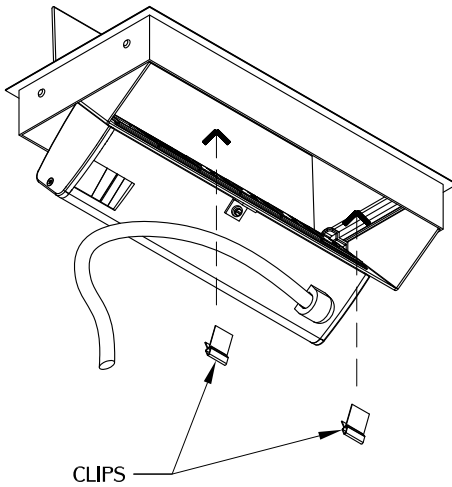
11-5/16" X 5-5/16"

11" X 5" CUT OUT



6' CORD

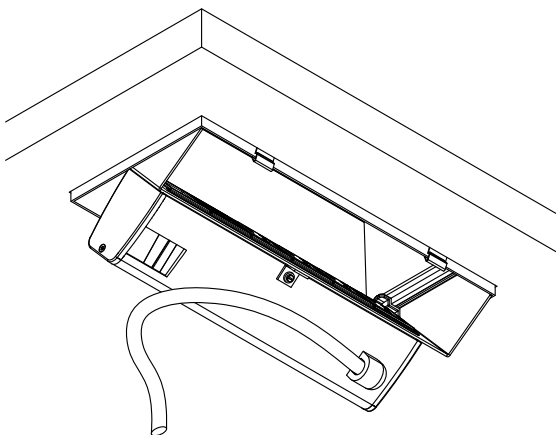
2



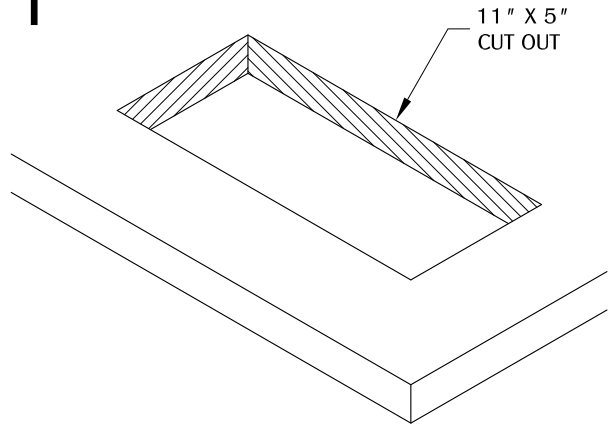
CLIPS

Place clips before installing in cut out.

4



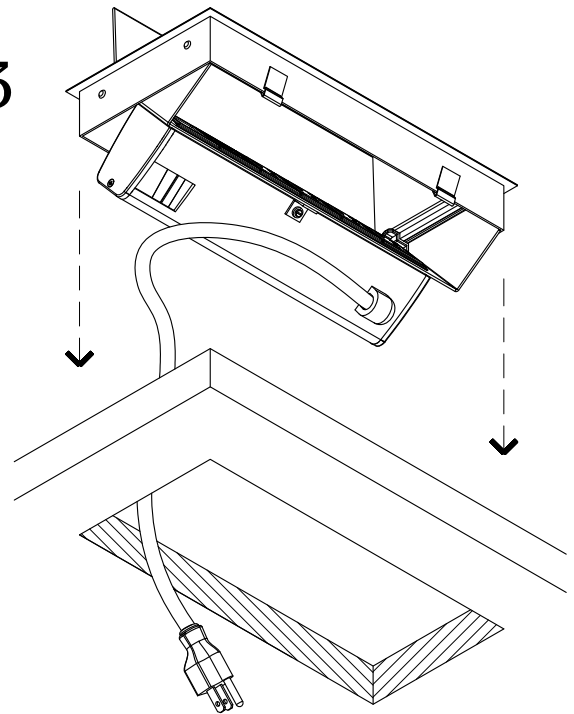
1



11" X 5" CUT OUT

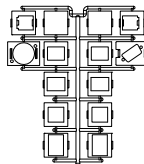
Make a cut out at the desired surface.

3

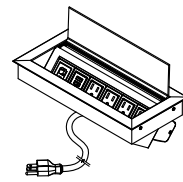


### NOTE:

PLEASE USE APPLICABLE ADAPTER FROM DATA TREE. (SEE PCS DATA TREE PAGE FOR MORE INFORMATION.)



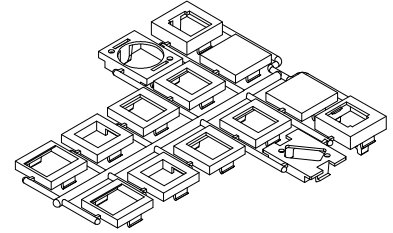
### TABLE OF CONTENTS:



..... 1x PCS54F



..... 2x CLIPS



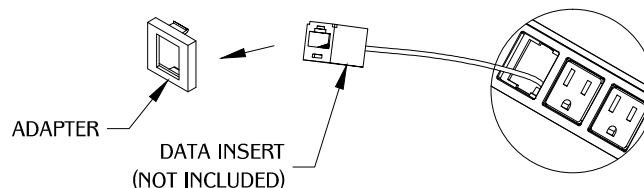
1.) Select the appropriate adapter from the chart below. (example: Panduit Mini-Com Series jack would use "FF" adapter marked on back of adapter.)

\* Jacks, not included, UL Listed (DUXR) or Recognized (DUXR2) jacks required.

| Adapter | Manufacturer                                       | Website                    |
|---------|--|----------------------------|
| AA      | Systimax/CommScope                                 | www.Commscope.com/Systimax |
| AA      | Uniprise/CommScope                                 | www.Commscope.com/Systimax |
| BB      | L-Com Keystone Modular                             | www.L-Com.com              |
| BB      | Tyco SL and 110 Connect Series Modular Jacks       | www.Ampconnect.com         |
| BB      | Siemon Keystone Style                              | www.Siemon.com             |
| BB      | Allen Tel Versa Tap Series                         | www.Allentel.com           |
| BB      | Leviton Quick Port ® Series                        | www.Leviton.com            |
| BB      | Nordx Keystone Style                               | www.Nordx.com              |
| CC      | Tyco SL Coupler Series                             | www.Ampconnect.com         |
| CC      | Krone 6000 Series/ADC                              | www.Adc.com                |
| CC      | Hubble Xcelerator™ Keystone Series                 | www.Hubbell.com            |
| DD      | Blank  | -                          |
| EE      | Ortronics TracJack Series                          | www.Ortronics.com          |
| FF      | Panduit Mini-Com Series                            | www.Panduit.com            |
| GG      | Microphone Jack/3-pin XLR, solder style only       | www.Byrne-Electrical.com   |
| HH      | Video Monitor Jack/DB-15, panel mount solder style | www.Byrne-Electrical.com   |

2.) Snap Jack into adapter following the instructions provided with the jack.

3.) Once assembled, snap adapter into the notched, square holes in the orientation shown.



**NOTE:** Please verify fit of jack in adapter before ordering large quantities as manufacturer designs may change without notice.