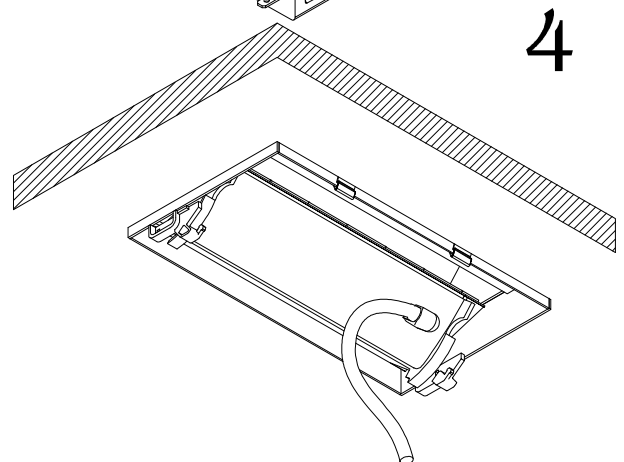
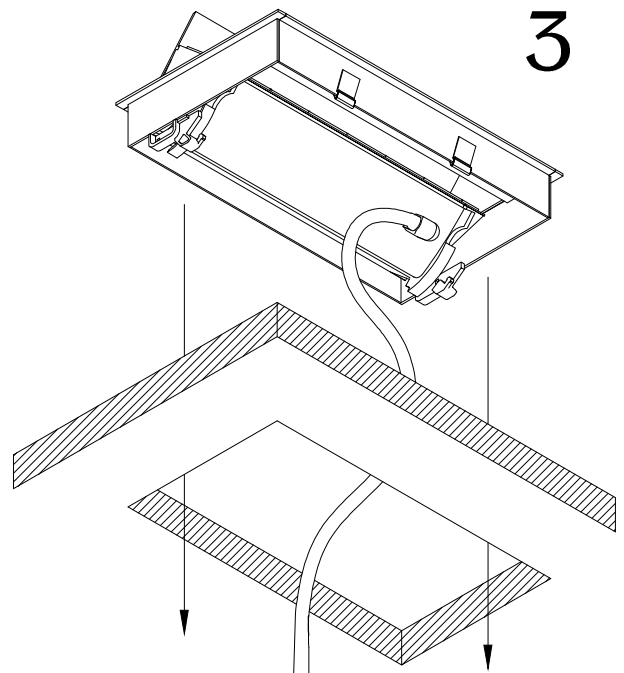
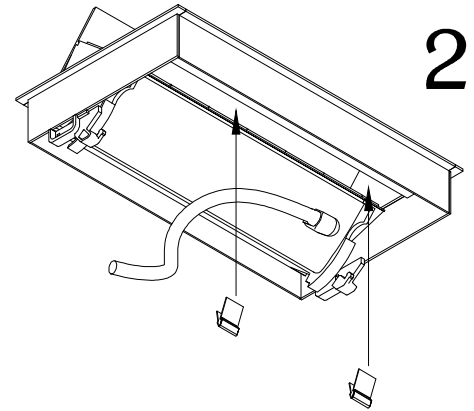
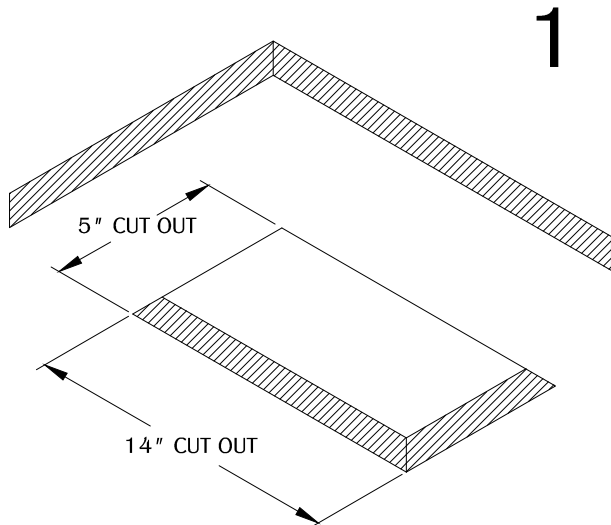
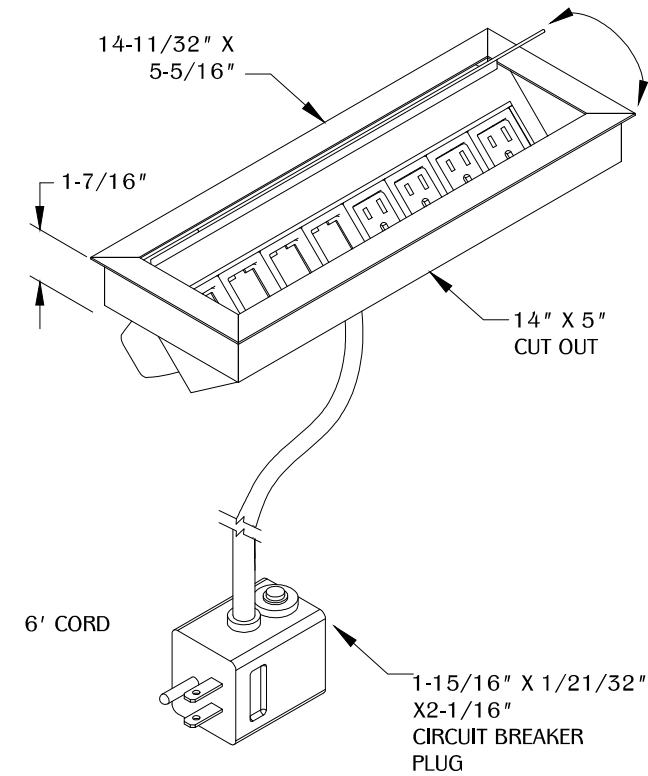


### INSTALLATION INSTRUCTIONS

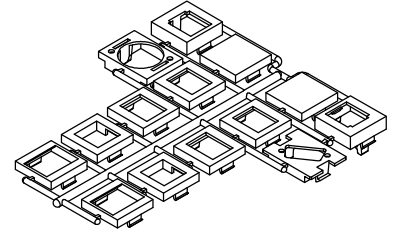
NOTE:

- PUSH DOWN TO OPEN/CLOSE.
- INSTALL DATA JACKS AS DESCRIBED IN THE INSTALLATION PROVIDED WITH THE DATA ADAPTERS.



## PCS Data Tree

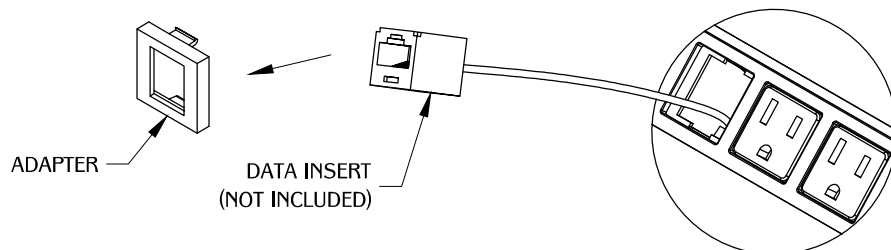
- 1.) Select the appropriate adapter from the chart below. (example: Panduit Mini-Com Series jack would use "FF" adapter marked on back of adapter.)



\* Jacks, not included, UL Listed (DUXR) or Recognized (DUXR2) jacks required.

| Adapter | Manufacturer                                       | Website                    |
|---------|--|----------------------------|
| AA      | Systimax/CommScope                                 | www.Commscope.com/Systimax |
| AA      | Uniprise/CommScope                                 | www.Commscope.com/Systimax |
| BB      | L-Com Keystone Modular                             | www.L-Com.com              |
| BB      | NETCONNECT, and 110 Connect Series Modular Jack    | www.Anixter.com            |
| BB      | Siemon ZMAX Style                                  | www.Siemon.com             |
| BB      | Allen Tel Versa Tap Series                         | www.Graybar.com            |
| BB      | Leviton Quick Port ® Series                        | www.Leviton.com            |
| BB      | Belden REVconnect                                  | www.Belden.com             |
| CC      | Hubble Nextspeed™ Keystone Series                  | www.Hubbell-premise.com    |
| DD      | Blank (No coupler/jack)                            | -                          |
| EE      | Ortronics TracJack Series                          | www.Ortronics.com          |
| FF      | Panduit Mini-Com Series                            | www.Panduit.com            |
| GG      | Microphone Jack/3-pin XLR, solder style only       | www.Mockett.com            |
| HH      | Video Monitor Jack/DB-15, panel mount solder style | www.Mockett.com            |

- 2.) Snap Jack into adapter following the instructions provided with the jack.
- 3.) Once assembled, snap adapter into the notched, square holes in the orientation shown.



**NOTE:** Please verify fit of jack in adapter before ordering large quantities as manufacturer designs may change without notice.