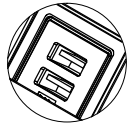
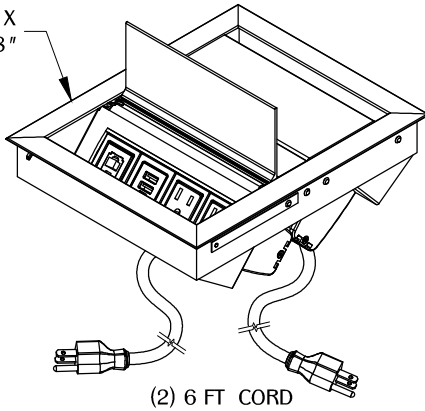

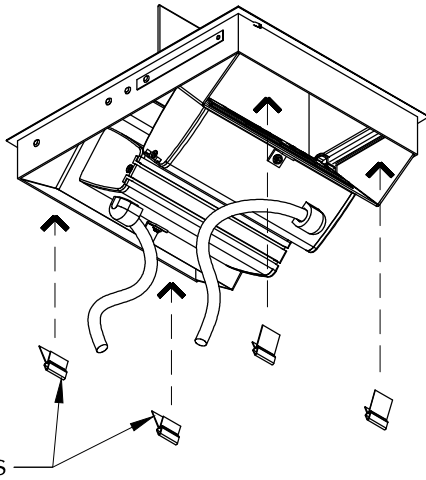


8-5/16" X
10-1/8"



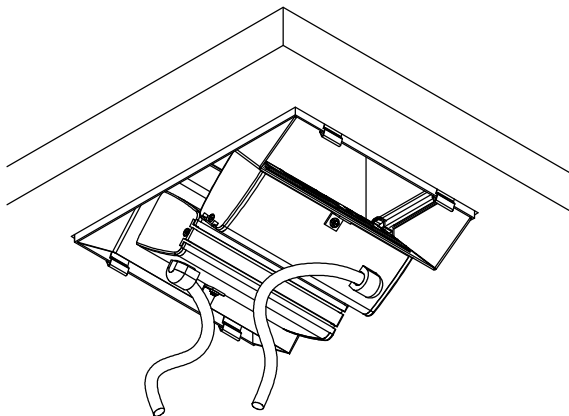
 BOTH USB OUTLETS FOR CHARGING USE ONLY

2

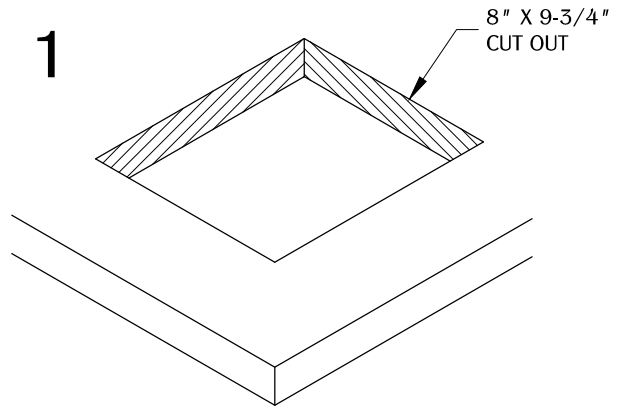


Place clips before installing in cut out.

4

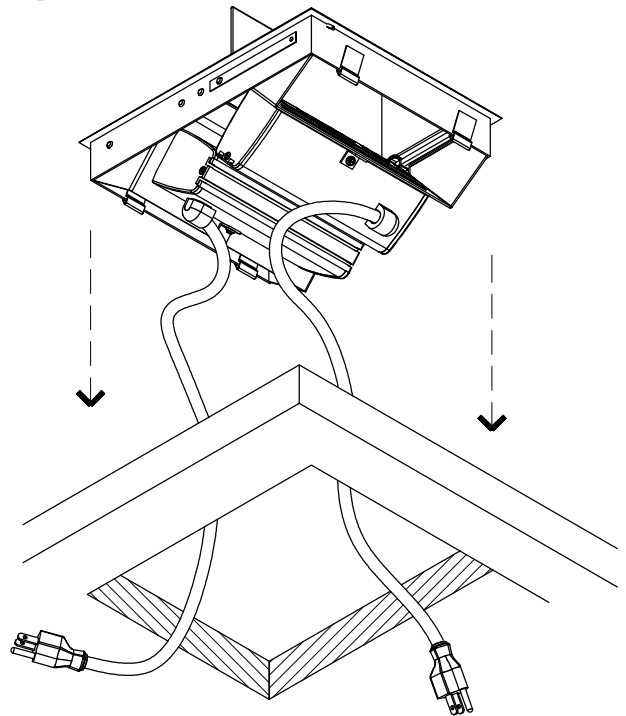


1



Make a cut out at the desired surface.

3



NOTE:

PLEASE USE APPLICABLE ADAPTER FROM DATA TREE. (SEE PCS DATA TREE PAGE FOR MORE INFORMATION.)

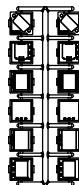
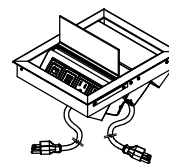


TABLE OF CONTENTS:

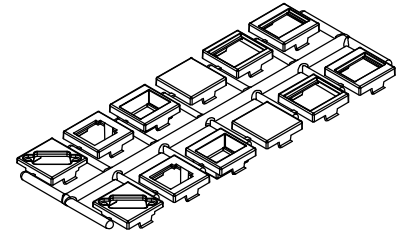


..... 1x PCS54/2/E



..... .4x CLIPS

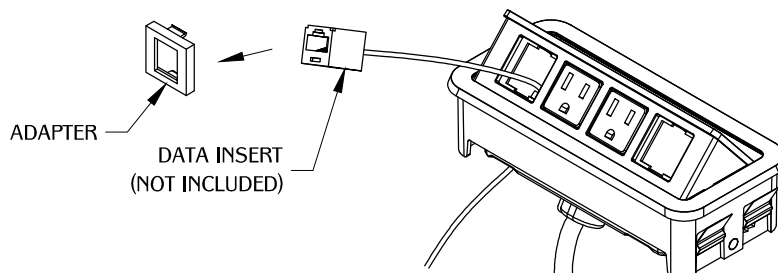
- 1.) Select the appropriate adapter from the chart below. (example: Panduit Mini-Com Series jack would use "FFF" adapter marked on back of adapter.)



*Jacks, not included, UL Listed (DUXR) or Recognized (DUXR2) jacks required.

Adapter	Manufacturer	Website
BBB	L-Com Keystone Modular	www.L-Com.com
BBB	Tyco SL, and 110 Connect Series Modular Jack	www.Te.com
BBB	Siemon Keystone Style	www.Siemon.com
BBB	Allen Tel Versa Tap Series	www.Graybar.com
BBB	Leviton Quick Port ® Series	www.Leviton.com
BBB	Belden Keystone Style	www.Belden.com
BBB	HDMI Adapter Cable	www.mockett.com
CCC	Hubbell Xcelerator™ Keystone Series	www.Hubbell.com
CCC	ADC Truenet Series	www.Anixter.com
CCC	Krone 6000 Series/ADC	www.Te.com
DDD	Blank (no coupler/jack)	-
EEE	Ortronics TracJack Series	www.Ortronics.com
FFF	Panduit Mini-Com Series	www.Panduit.com
HHH	Video Monitor Jack/DB-15, panel mount solder style	www.mockett.com

- 2.) Snap Jack into adapter following the instructions provided with the jack.
- 3.) Once assembled, snap adapter into the notched, square holes in the orientation shown.



NOTE: Please verify fit of jack in adapter before ordering large quantities as manufacturer designs may change without notice.