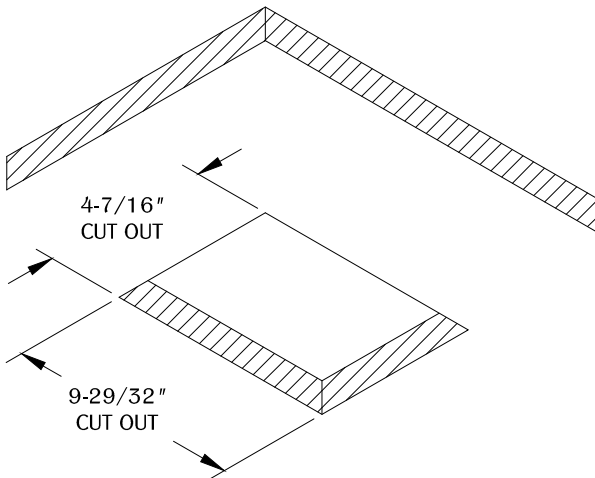
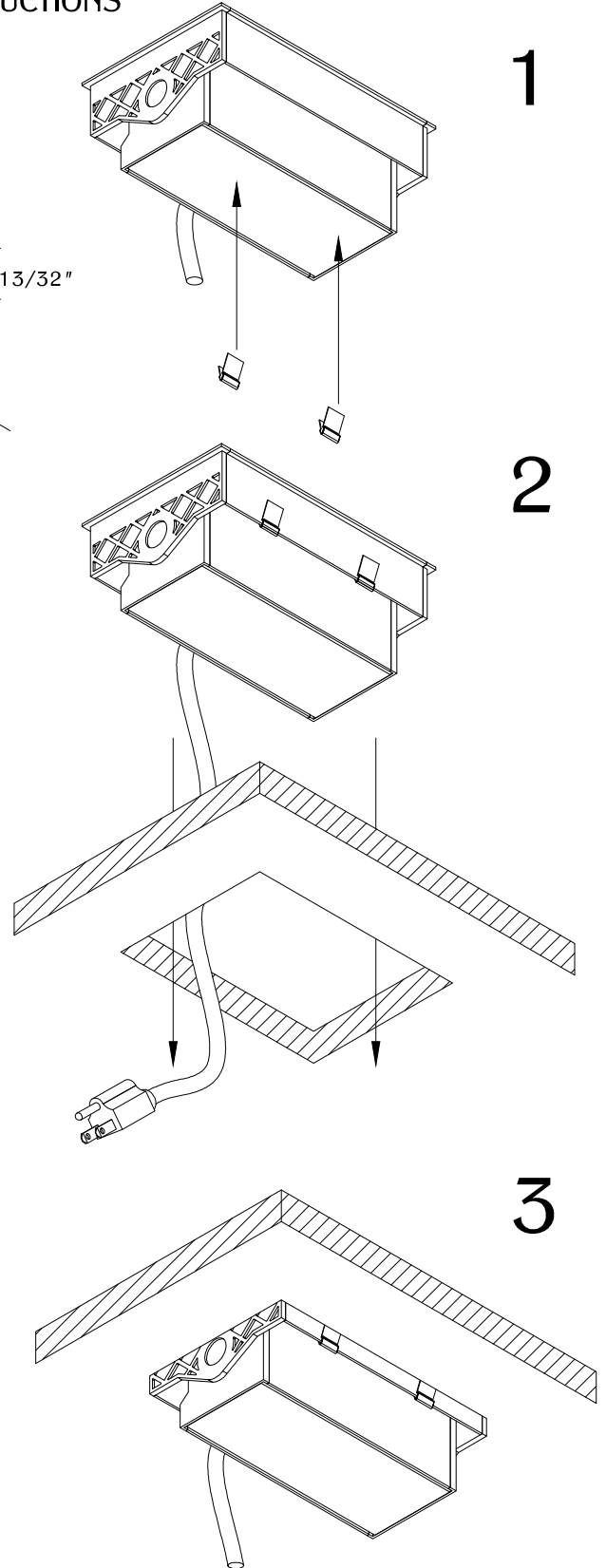
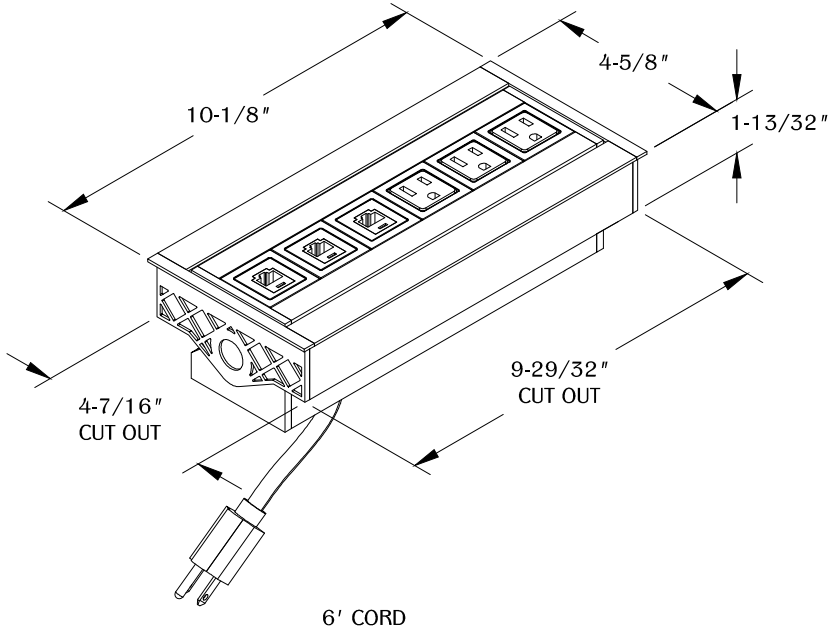


### INSTALLATION INSTRUCTIONS



PART #

PCS51C

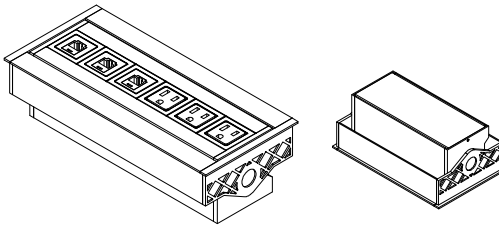
2 of 2

310.318.2491 • 800.523.1269 • www.mockett.com

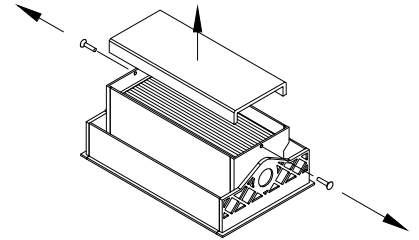
INSTALL DATA JACKS AS DESCRIBED IN THE INSTALLATION SHEET PROVIDED WITH THE DATA ADAPTERS

## INSTALLATION INSTRUCTIONS

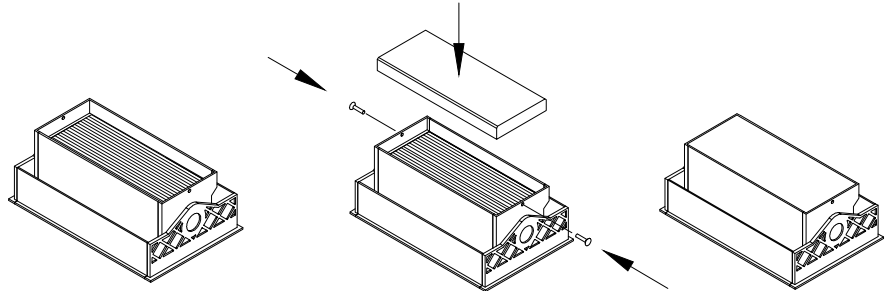
REMOVE SUPPLIED ALUMINUM INSERT



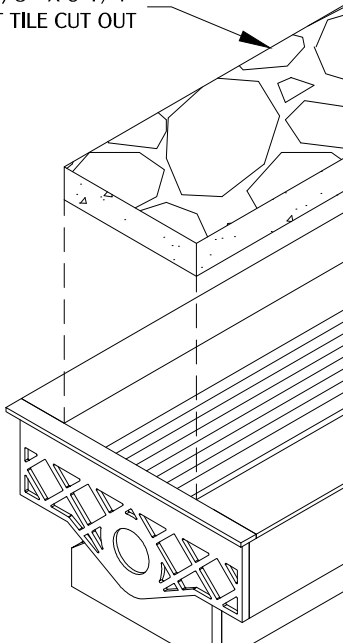
USE COVER AS A TEMPLATE  
CUT MAY VARY +/- = 1/32"



ATTACH FILLER MATERIAL USING ADHESIVE



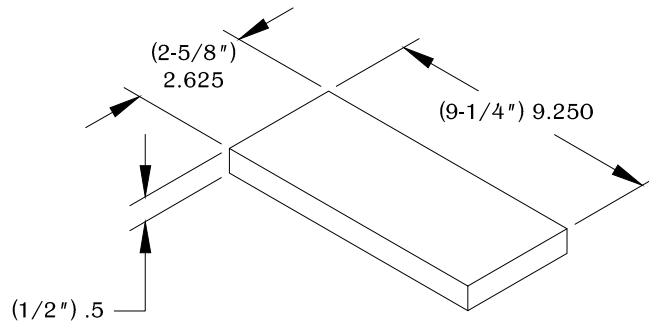
2-5/8" X 9-1/4"  
TEXT TILE CUT OUT

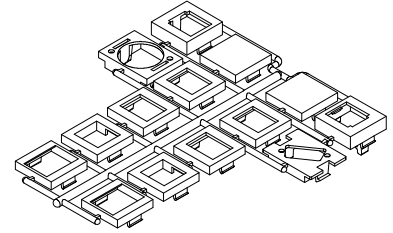


FILLER DIMENSIONS

PORTS

4





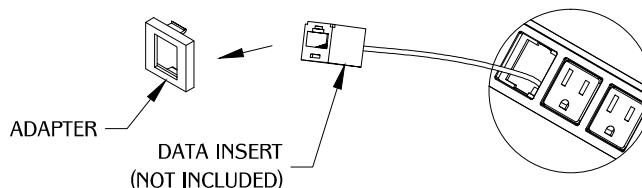
1.) Select the appropriate adapter from the chart below. (example: Panduit Mini-Com Series jack would use "FF" adapter marked on back of adapter.)

\* Jacks, not included, UL Listed (DUXR) or Recognized (DUXR2) jacks required.

Adapter	Manufacturer	Website
AA	Systimax/CommScope	www.Commscope.com/Systimax
AA	Uniprise/CommScope	www.Commscope.com/Systimax
BB	L-Com Keystone Modular	www.L-Com.com
BB	Tyco SL and 110 Connect Series Modular Jacks	www.Ampconnect.com
BB	Siemon Keystone Style	www.Siemon.com
BB	Allen Tel Versa Tap Series	www.Allentel.com
BB	Leviton Quick Port ® Series	www.Leviton.com
BB	Nordx Keystone Style	www.Nordx.com
CC	Tyco SL Coupler Series	www.Ampconnect.com
CC	Krone 6000 Series/ADC	www.Adc.com
CC	Hubble Xcelerator™ Keystone Series	www.Hubbell.com
DD	Blank	-
EE	Ortronics TracJack Series	www.Ortronics.com
FF	Panduit Mini-Com Series	www.Panduit.com
GG	Microphone Jack/3-pin XLR, solder style only	www.Byrne-Electrical.com
HH	Video Monitor Jack/DB-15, panel mount solder style	www.Byrne-Electrical.com

2.) Snap Jack into adapter following the instructions provided with the jack.

3.) Once assembled, snap adapter into the notched, square holes in the orientation shown.



**NOTE:** Please verify fit of jack in adapter before ordering large quantities as manufacturer designs may change without notice.