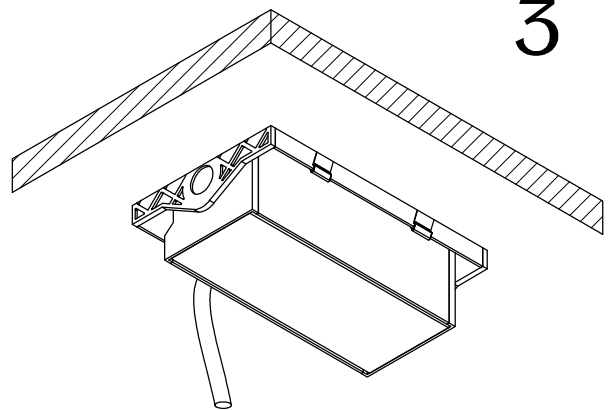
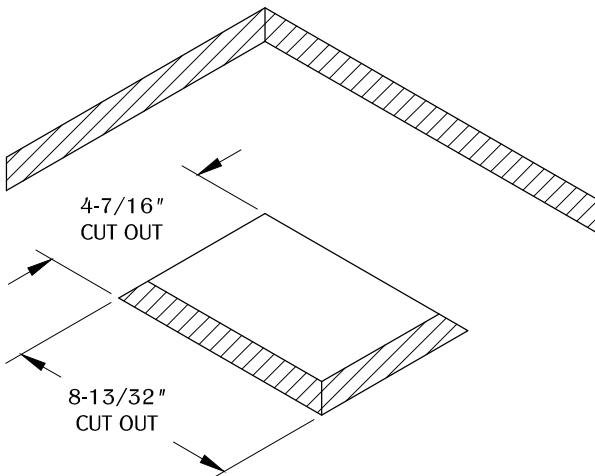
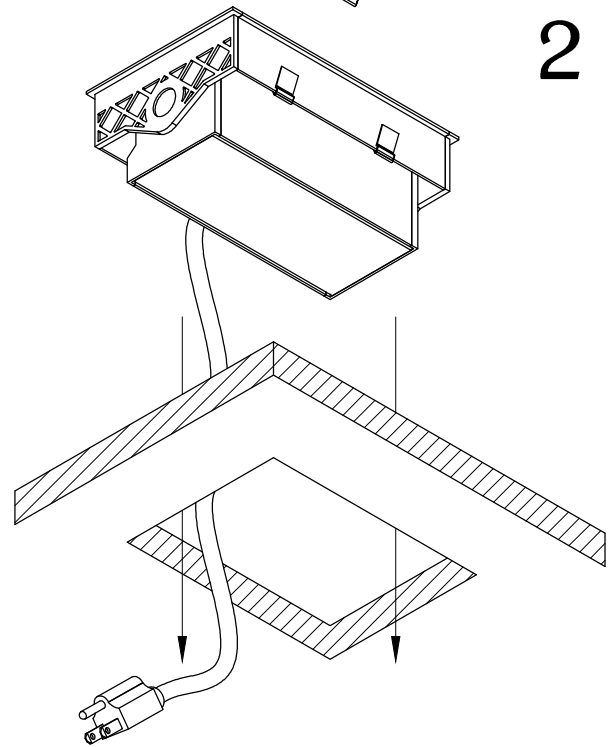
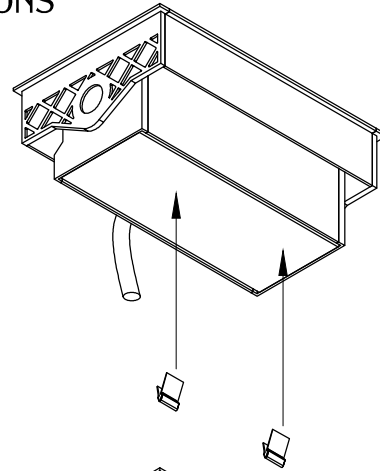
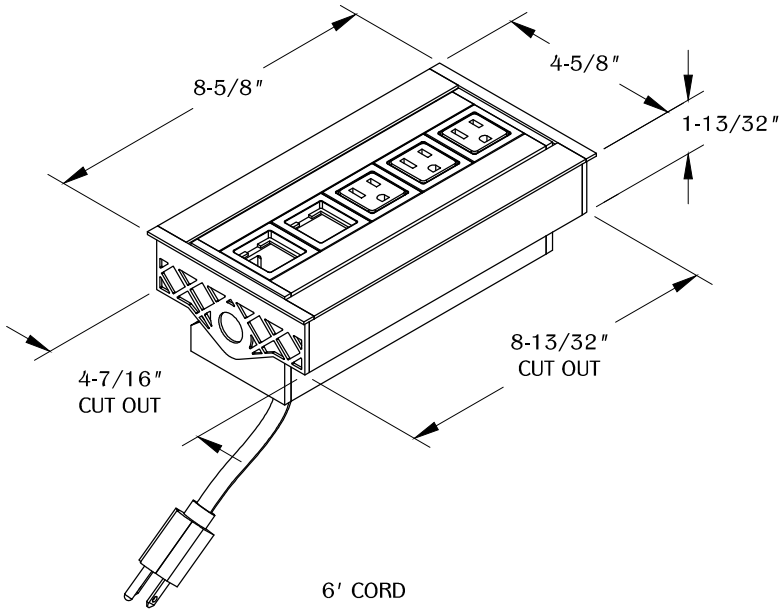


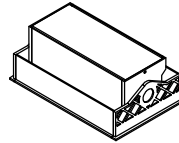
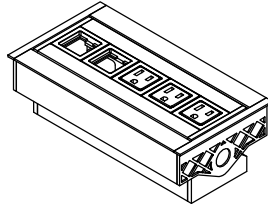
INSTALLATION INSTRUCTIONS



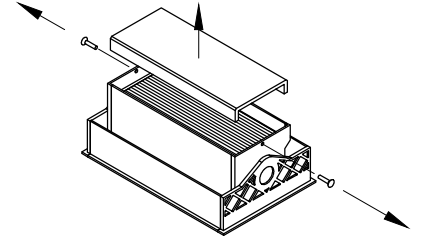
INSTALL DATA JACKS AS DESCRIBED IN THE INSTALLATION SHEET PROVIDED WITH THE DATA ADAPTERS

INSTALLATION INSTRUCTIONS

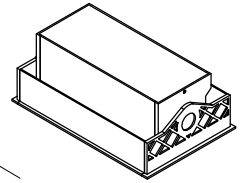
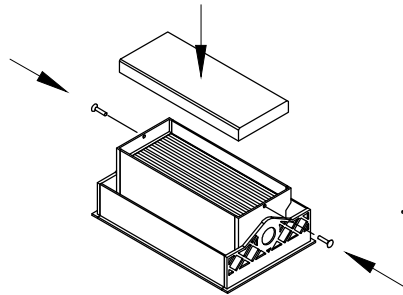
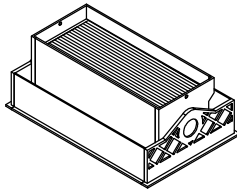
REMOVE SUPPLIED ALUMINUM INSERT



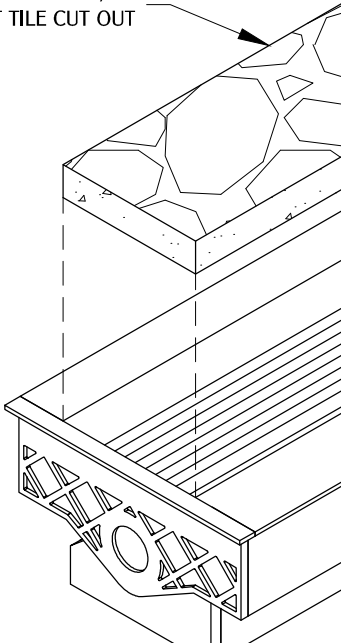
USE COVER AS A TEMPLATE
CUT MAY VARY +/- = 1/32"



ATTACH FILLER MATERIAL USING ADHESIVE

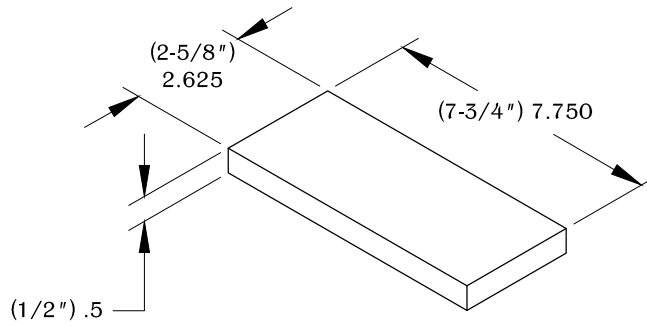


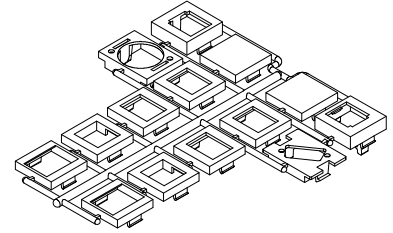
2-5/8" X 7-3/4"
TEXT TILE CUT OUT



FILLER DIMENSIONS

PORTS
4





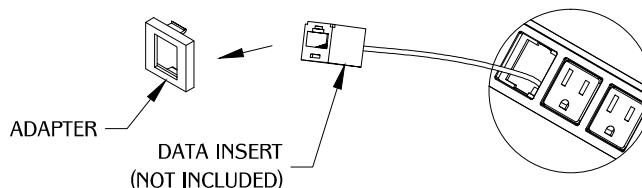
1.) Select the appropriate adapter from the chart below. (example: Panduit Mini-Com Series jack would use "FF" adapter marked on back of adapter.)

* Jacks, not included, UL Listed (DUXR) or Recognized (DUXR2) jacks required.

| Adapter | Manufacturer | Website |
|---------|--|----------------------------|
| AA | Systimax/CommScope | www.Commscope.com/Systimax |
| AA | Uniprise/CommScope | www.Commscope.com/Systimax |
| BB | L-Com Keystone Modular | www.L-Com.com |
| BB | Tyco SL and 110 Connect Series Modular Jacks | www.Ampconnect.com |
| BB | Siemon Keystone Style | www.Siemon.com |
| BB | Allen Tel Versa Tap Series | www.Allentel.com |
| BB | Leviton Quick Port ® Series | www.Leviton.com |
| BB | Nordx Keystone Style | www.Nordx.com |
| CC | Tyco SL Coupler Series | www.Ampconnect.com |
| CC | Krone 6000 Series/ADC | www.Adc.com |
| CC | Hubble Xcelerator™ Keystone Series | www.Hubbell.com |
| DD | Blank | - |
| EE | Ortronics TracJack Series | www.Ortronics.com |
| FF | Panduit Mini-Com Series | www.Panduit.com |
| GG | Microphone Jack/3-pin XLR, solder style only | www.Byrne-Electrical.com |
| HH | Video Monitor Jack/DB-15, panel mount solder style | www.Byrne-Electrical.com |

2.) Snap Jack into adapter following the instructions provided with the jack.

3.) Once assembled, snap adapter into the notched, square holes in the orientation shown.



NOTE: Please verify fit of jack in adapter before ordering large quantities as manufacturer designs may change without notice.