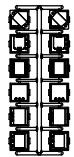
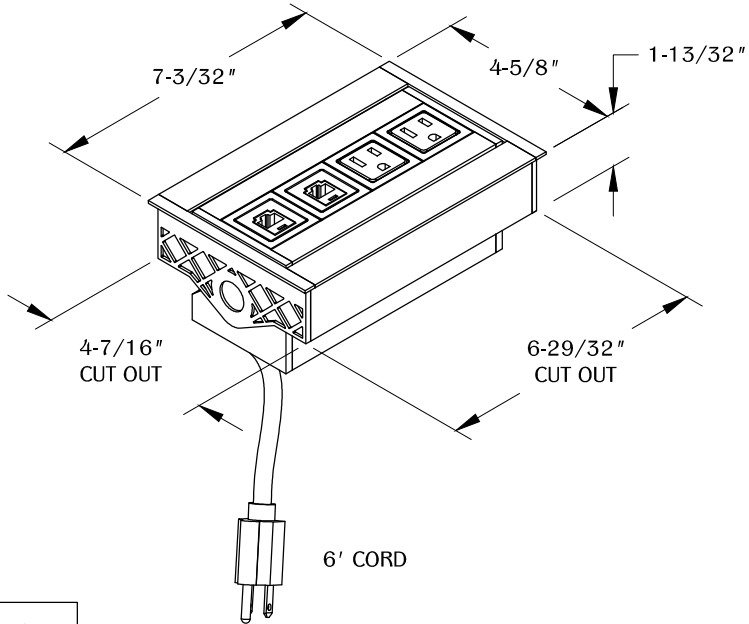
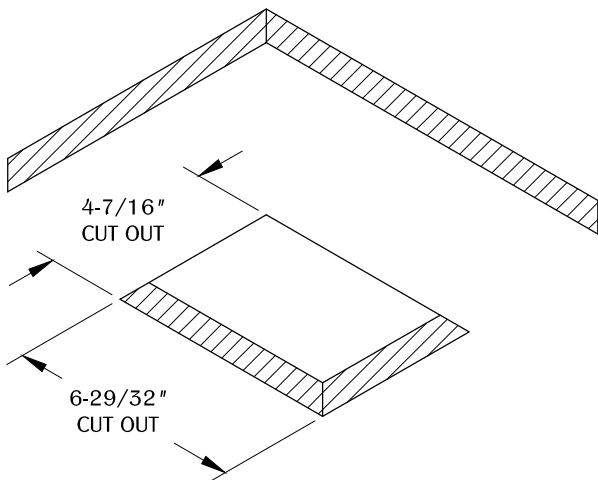
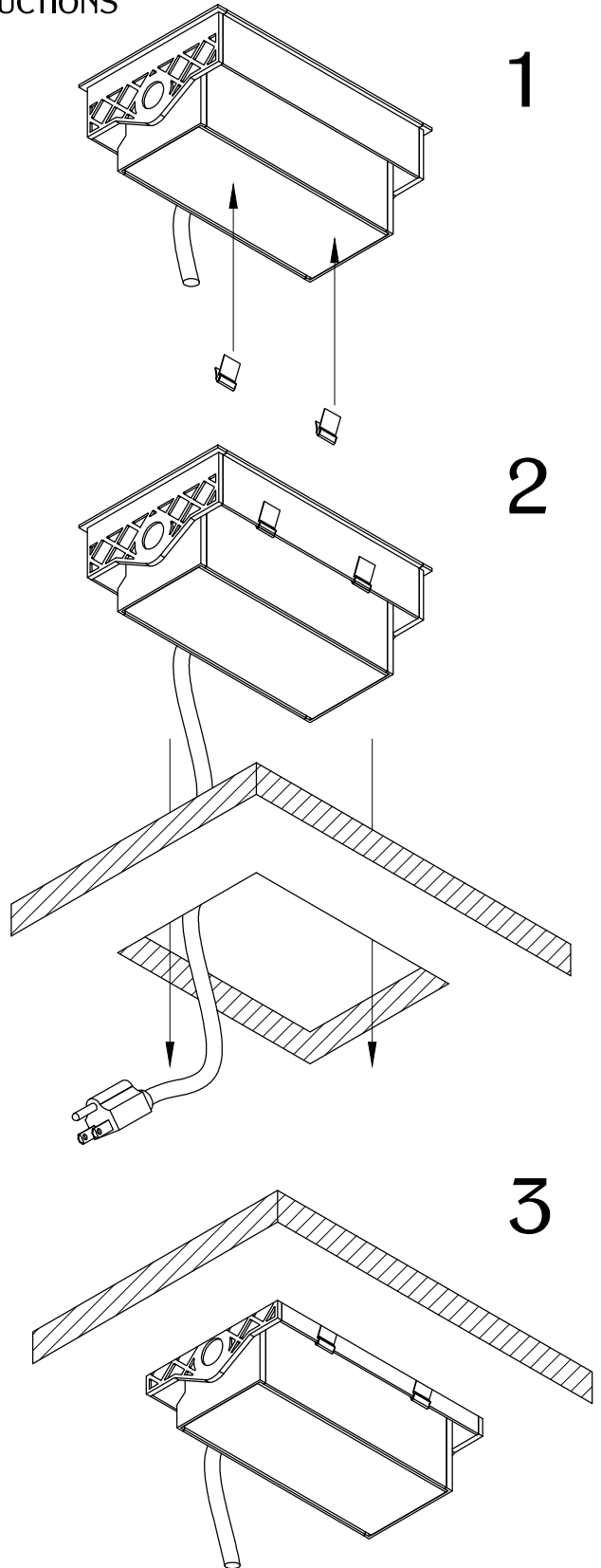


INSTALLATION INSTRUCTIONS



NOTE:
Secure data jacks in place with corresponding bezel adapter from data tree provided. (See PCS Data Tree information sheet for more information)



PART #

PCS51A

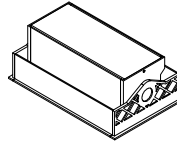
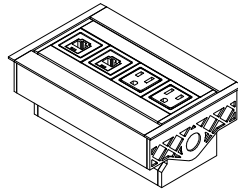
2 of 2

310.318.2491 • 800.523.1269 • www.mockett.com

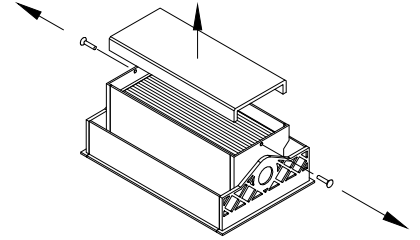
INSTALL DATA JACKS AS DESCRIBED IN THE INSTALLATION SHEET PROVIDED WITH THE DATA ADAPTERS

INSTALLATION INSTRUCTIONS

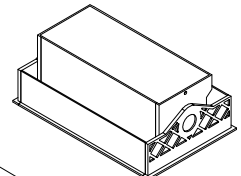
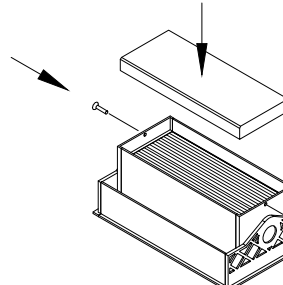
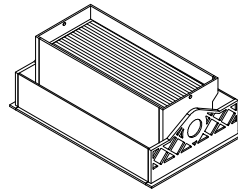
REMOVE SUPPLIED ALUMINUM INSERT



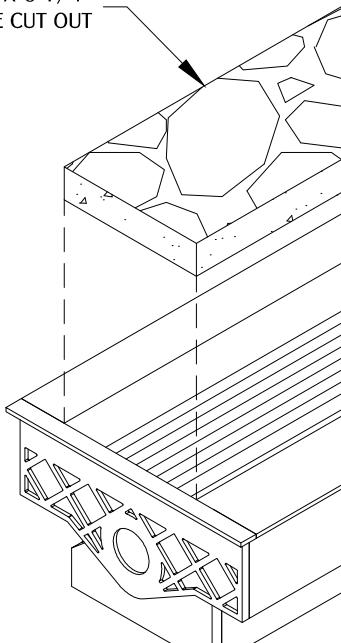
USE COVER AS A TEMPLATE
CUT MAY VARY +/- = 1/32"



ATTACH FILLER MATERIAL USING ADHESIVE



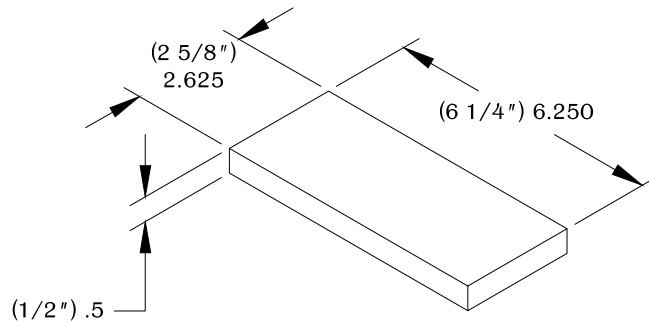
2-5/8" X 6-1/4"
TEXT TILE CUT OUT



FILLER DIMENSIONS

PORTS

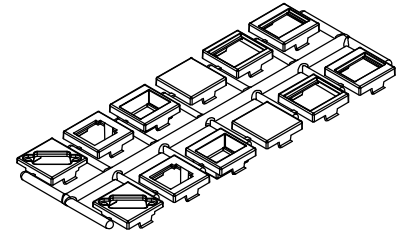
4



PCS Data Tree

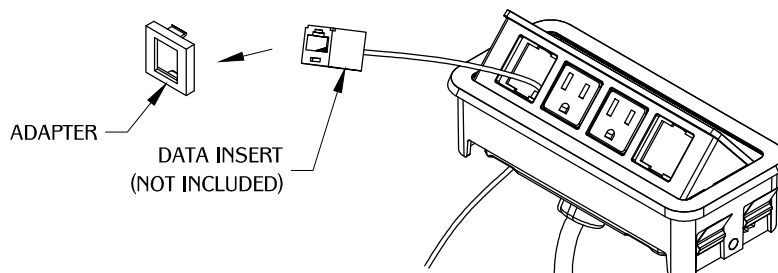
- 1.) Select the appropriate adapter from the chart below. (example: Panduit Mini-Com Series jack would use "FFF" adapter marked on back of adapter.)

*Jacks, not included, UL Listed (DUXR) or Recognized (DUXR2) jacks required.



Adapter	Manufacturer	Website
BBB	L-Com Keystone Modular	www.L-Com.com
BBB	NETCONNECT, and 110 Connect Series Modular Jack	www.Anixter.com
BBB	Siemon ZMAX Style	www.Siemon.com
BBB	Allen Tel Versa Tap Series	www.Graybar.com
BBB	Leviton Quick Port ® Series	www.Leviton.com
BBB	Belden REVConnect	www.Belden.com
BBB	HDMI Adapter Cable	www.Mockett.com
CCC	Hubbell Nextspeed™ Keystone Series	www.Hubbell-premise.com
CCC	ADC Truenet Series	www.Anixter.com
DDD	Blank (no coupler/jack)	-
EEE	Ortronics TracJack Series	www.Ortronics.com
FFF	Panduit Mini-Com Series	www.Panduit.com
HHH	Video Monitor Jack/DB-15, panel mount solder style	www.Mockett.com

- 2.) Snap Jack into adapter following the instructions provided with the jack.
- 3.) Once assembled, snap adapter into the notched, square holes in the orientation shown.



NOTE: Please verify fit of jack in adapter before ordering large quantities as manufacturer designs may change without notice.