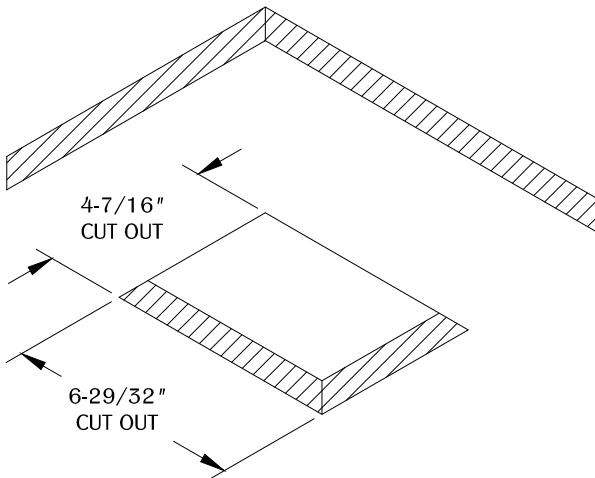
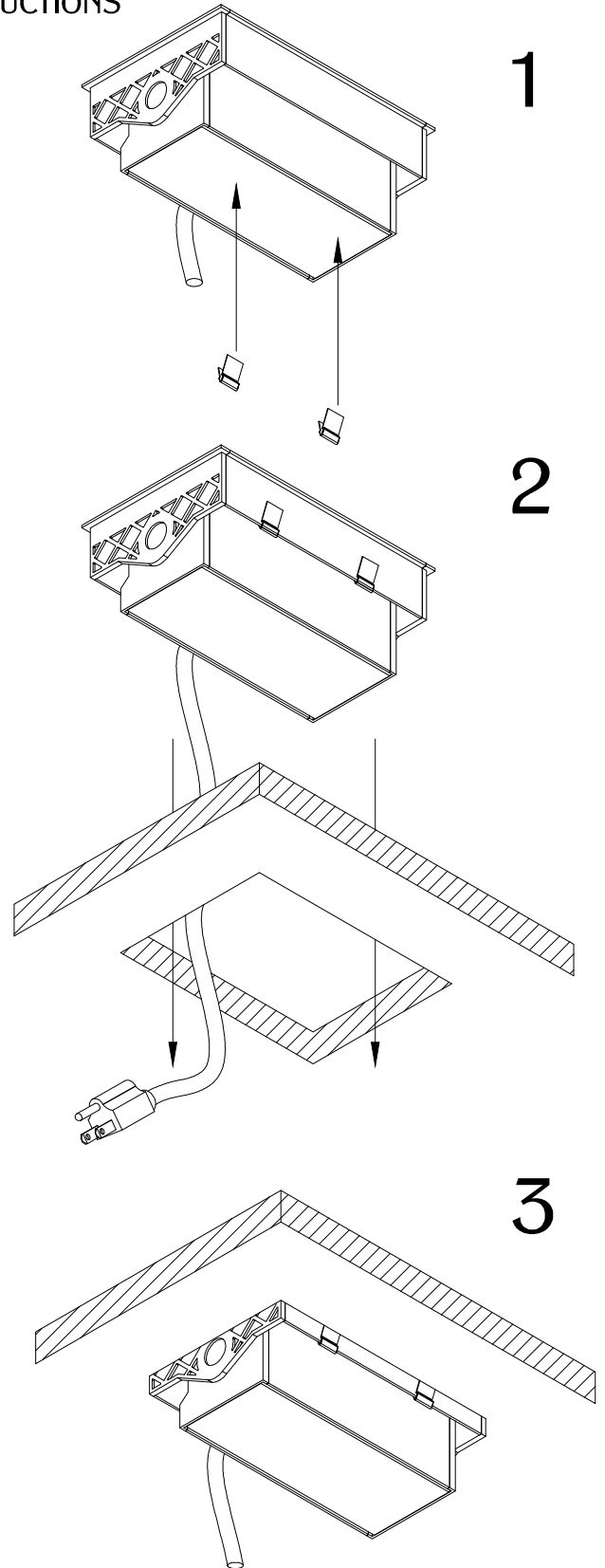
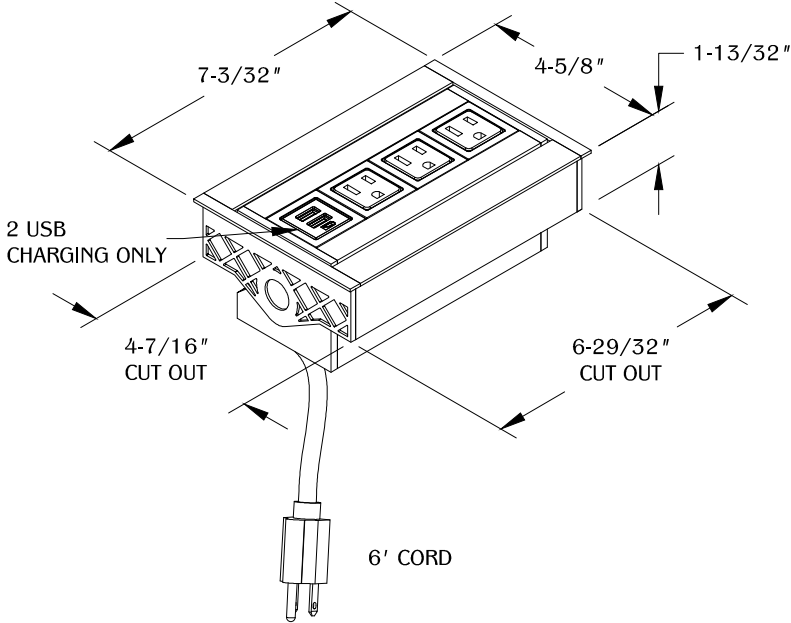


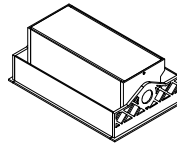
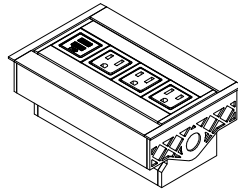
INSTALLATION INSTRUCTIONS



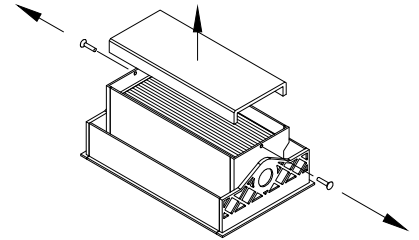
INSTALL DATA JACKS AS DESCRIBED IN THE INSTALLATION SHEET PROVIDED WITH THE DATA ADAPTERS

INSTALLATION INSTRUCTIONS

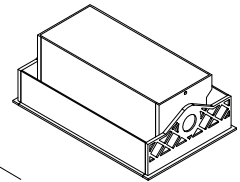
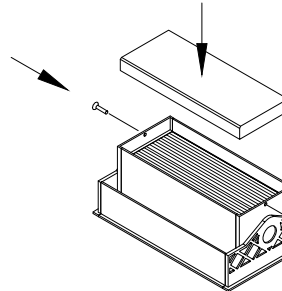
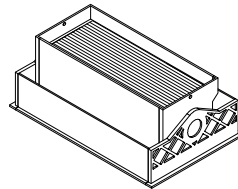
REMOVE SUPPLIED ALUMINUM INSERT



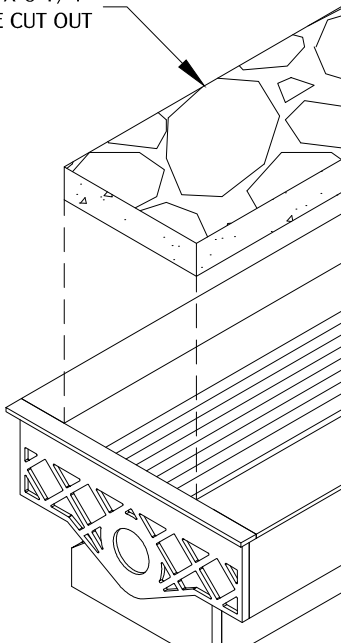
USE COVER AS A TEMPLATE
CUT MAY VARY +/- = 1/32"



ATTACH FILLER MATERIAL USING ADHESIVE



2-5/8" X 6-1/4"
TEXT TILE CUT OUT



FILLER DIMENSIONS

PORTS

4

