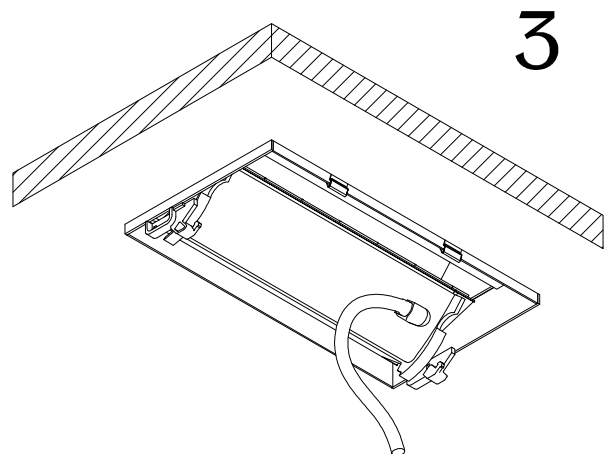
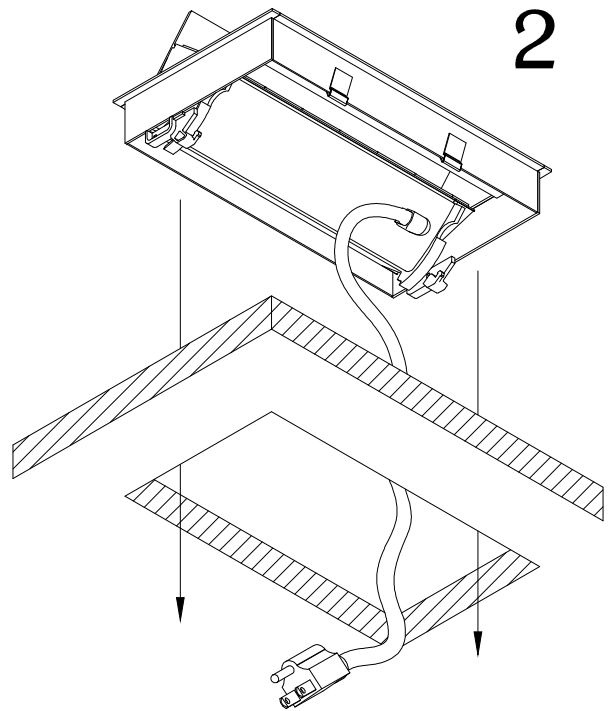
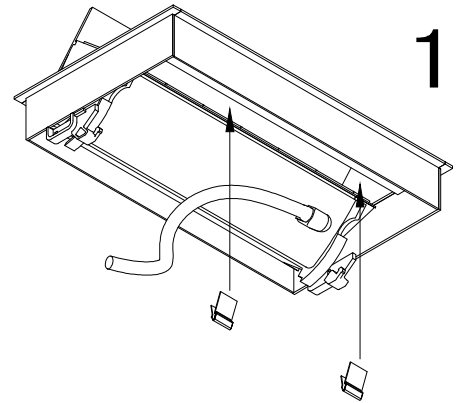
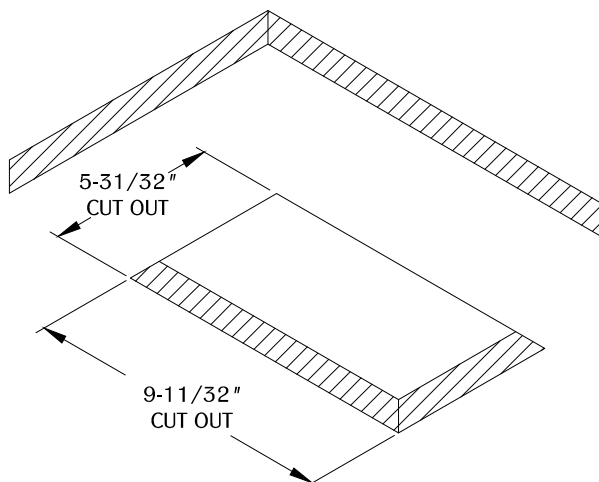
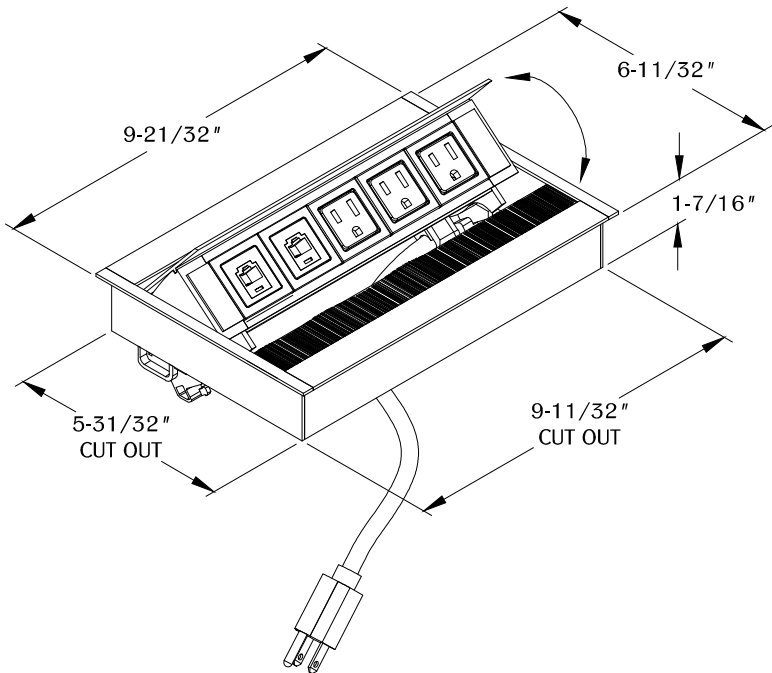


### INSTALLATION INSTRUCTIONS

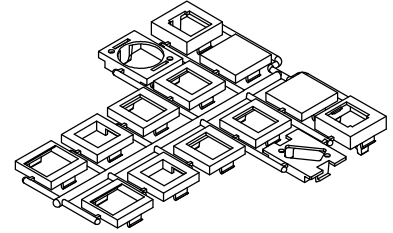
NOTE:

- PUSH DOWN TO OPEN/CLOSE.
- INSTALL DATA JACKS AS DESCRIBED IN THE INSTALLATION PROVIDED WITH THE DATA ADAPTERS.



## PCS Data Tree

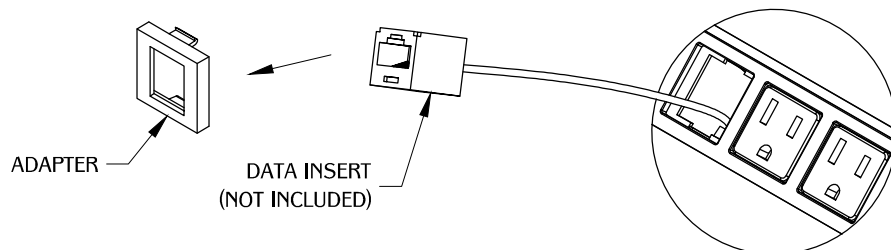
- 1.) Select the appropriate adapter from the chart below. (example: Panduit Mini-Com Series jack would use "FF" adapter marked on back of adapter.)



\* Jacks, not included, UL Listed (DUXR) or Recognized (DUXR2) jacks required.

Adapter	Manufacturer	Website
AA	Systimax/CommScope	www.Commscope.com/Systimax
AA	Uniprise/CommScope	www.Commscope.com/Systimax
BB	L-Com Keystone Modular	www.L-Com.com
BB	NETCONNECT, and 110 Connect Series Modular Jack	www.Anixter.com
BB	Siemon ZMAX Style	www.Siemon.com
BB	Allen Tel Versa Tap Series	www.Graybar.com
BB	Leviton Quick Port ® Series	www.Leviton.com
BB	Belden REVconnect	www.Belden.com
CC	Hubble Nextspeed™ Keystone Series	www.Hubbell-premise.com
DD	Blank (No coupler/jack)	-
EE	Ortronics TracJack Series	www.Ortronics.com
FF	Panduit Mini-Com Series	www.Panduit.com
GG	Microphone Jack/3-pin XLR, solder style only	www.Mockett.com
HH	Video Monitor Jack/DB-15, panel mount solder style	www.Mockett.com

- 2.) Snap Jack into adapter following the instructions provided with the jack.  
 3.) Once assembled, snap adapter into the notched, square holes in the orientation shown.



**NOTE:** Please verify fit of jack in adapter before ordering large quantities as manufacturer designs may change without notice.