 USB-A & USB-C ports are for charging use ONLY.

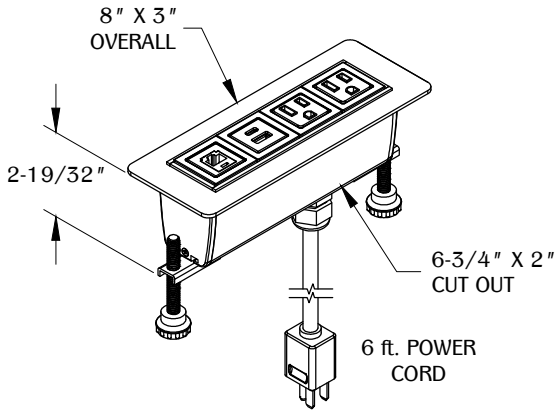
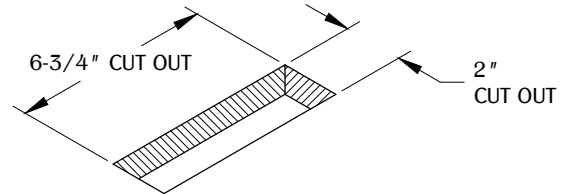


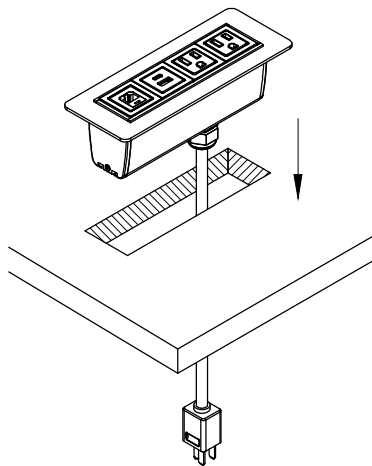
Table thickness is 3/4" MIN. to 1-3/4" MAX.

1



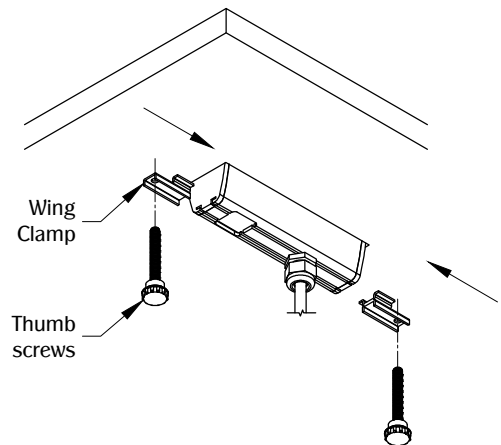
Make a cut out in the desired location on your work surface. Place near a power outlet and allow enough clearance for unit operation. **DO NOT** place unit where the cable is strained or trapped. Cut the hole at 6-3/4" X 2".

2



Guide the power cord through the cut out. Install the unit into the cut out and make sure it is fully leveled onto the surface.

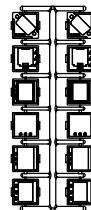
3



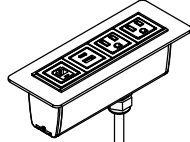
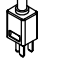

Slide the wing clamps in the underside track of the unit. Use (2) thumb screws secure the part in the work surface.

**NOTE:**

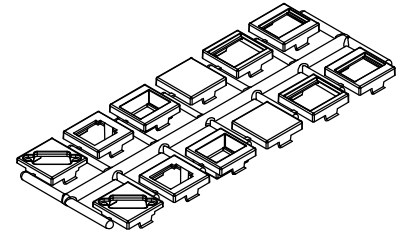
PLEASE USE APPLICABLE ADAPTER FROM DATA TREE. (SEE PCS DATA TREE PAGE FOR MORE INFORMATION.)



**TABLE OF CONTENTS:**

	..... 1 X PCS49F (2 POWER, 1 DATA, 1 USB-A &, 1 USB-C)
	..... 2 X Thumb screw
	..... 2 X Wing clamp

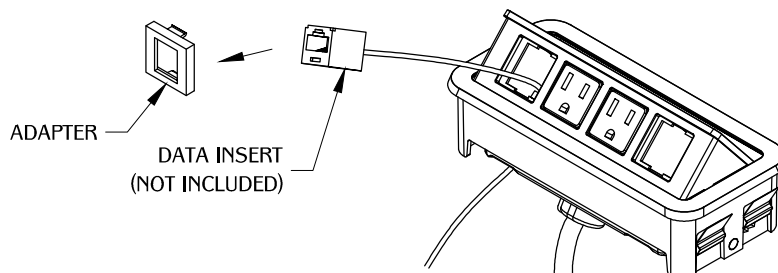
- 1.) Select the appropriate adapter from the chart below. (example: Panduit Mini-Com Series jack would use "FFF" adapter marked on back of adapter.)



\*Jacks, not included, UL Listed (DUXR) or Recognized (DUXR2) jacks required.

Adapter	Manufacturer	Website
BBB	L-Com Keystone Modular	<a href="http://www.L-Com.com">www.L-Com.com</a>
BBB	Tyco SL, and 110 Connect Series Modular Jack	<a href="http://www.Te.com">www.Te.com</a>
BBB	Siemon Keystone Style	<a href="http://www.Siemon.com">www.Siemon.com</a>
BBB	Allen Tel Versa Tap Series	<a href="http://www.Graybar.com">www.Graybar.com</a>
BBB	Leviton Quick Port ® Series	<a href="http://www.Leviton.com">www.Leviton.com</a>
BBB	Belden Keystone Style	<a href="http://www.Belden.com">www.Belden.com</a>
BBB	HDMI Adapter Cable	<a href="http://www.mockett.com">www.mockett.com</a>
CCC	Hubbell Xcelerator™ Keystone Series	<a href="http://www.Hubbell.com">www.Hubbell.com</a>
CCC	ADC Truenet Series	<a href="http://www.Anixter.com">www.Anixter.com</a>
CCC	Krone 6000 Series/ADC	<a href="http://www.Te.com">www.Te.com</a>
DDD	Blank (no coupler/jack)	-
EEE	Ortronics TracJack Series	<a href="http://www.Ortronics.com">www.Ortronics.com</a>
FFF	Panduit Mini-Com Series	<a href="http://www.Panduit.com">www.Panduit.com</a>
HHH	Video Monitor Jack/DB-15, panel mount solder style	<a href="http://www.mockett.com">www.mockett.com</a>

- 2.) Snap Jack into adapter following the instructions provided with the jack.
- 3.) Once assembled, snap adapter into the notched, square holes in the orientation shown.



**NOTE:** Please verify fit of jack in adapter before ordering large quantities as manufacturer designs may change without notice.