

PART #

PCS49E/U2

310.318.2491 • 800.523.1269 • www.mockett.com

 USB plugs for CHARGING USE ONLY.

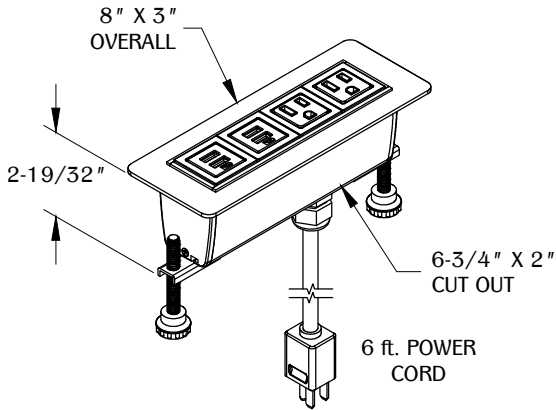
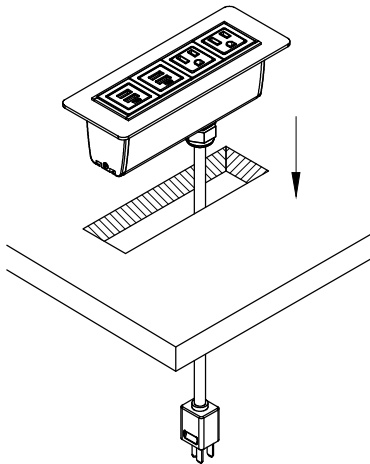


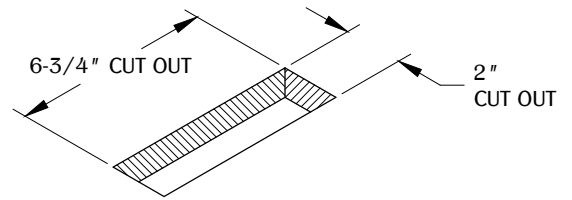
Table thickness is 3/4" MIN. to 1-3/4" MAX.

2



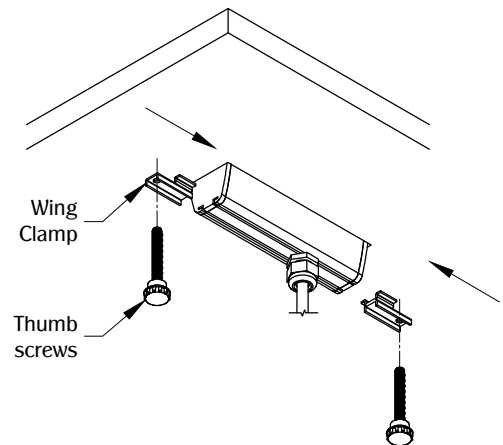
Drop the unit into the cut out. Make sure the unit is fully leveled into the work surface.

1



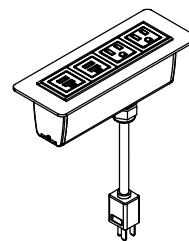
Make a cut out in the desired location on a level work surface. Place near a power outlet and allow enough clearance for unit operation. DO NOT place unit where the cable is strained or trapped. Cut the hole at 6-3/4" X 2".

3



Slide the wing clamps in the underside track of the unit. Use (2) thumb screws secure the part in the work surface.

TABLE OF CONTENTS:



..... 1 X PCS49E/U2  
(2 POWER,  
& 2 DUAL USB)



..... 2 X Thumb screw



..... 2 X Wing clamp