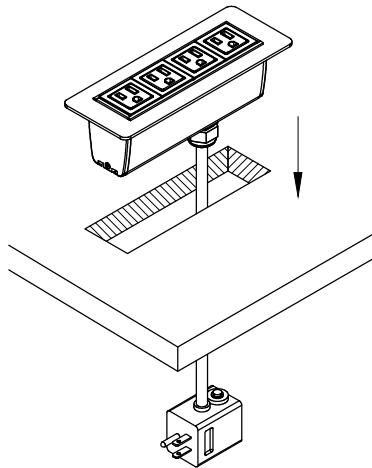


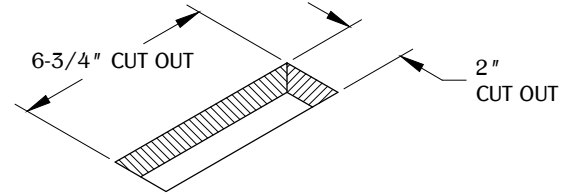
Table thickness is 3/4" MIN. to 1-3/4" MAX.

2



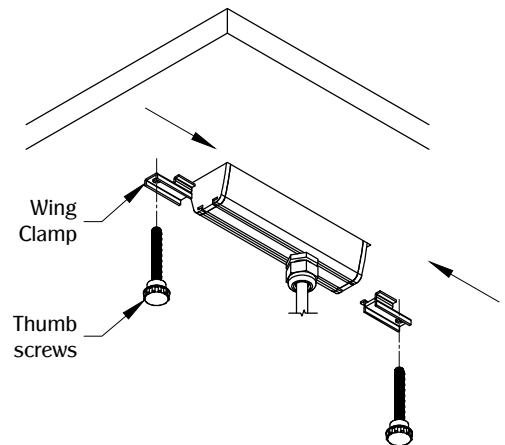
Drop the unit into the cut out. Make sure the unit is fully leveled into the work surface.

1



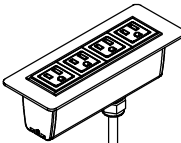


Determine the position and location of the unit on the work surface. Cut the hole at 6-3/4" X 2".

3



Slide the wing clamps in the underside track of the unit. Use (2) thumb screws secure the part in the work surface.

TABLE OF CONTENTS:

1 X PCS49B (4 POWER)
2 X Wing clamp
2 X Thumb screw