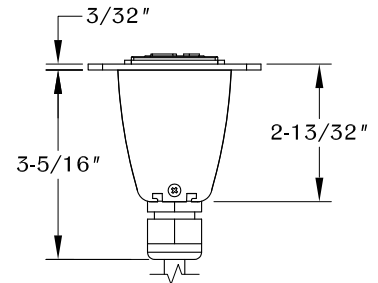
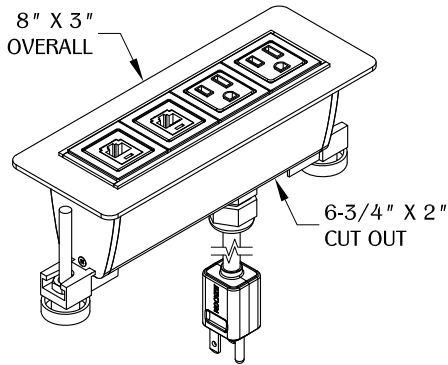
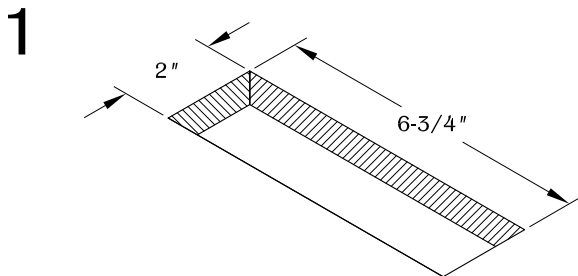


NOTE:

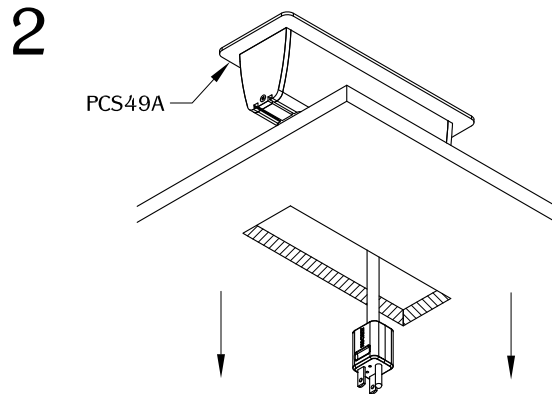
- 6 ft. cord length.
- For use on a normally dry work surface.
- Table thickness is 3/4" MIN. to 1-3/4" MAX.
- Plug dimension is 1-11/32" X 1-1/32" X 7/8".
- Please use applicable adapter from data tree. (See PCS data tree page 2 for more information.)



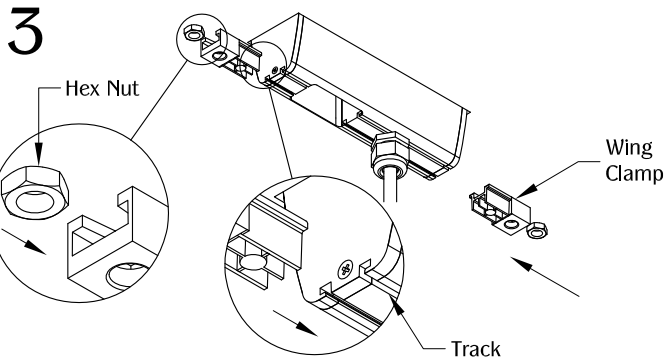
SIDE VIEW



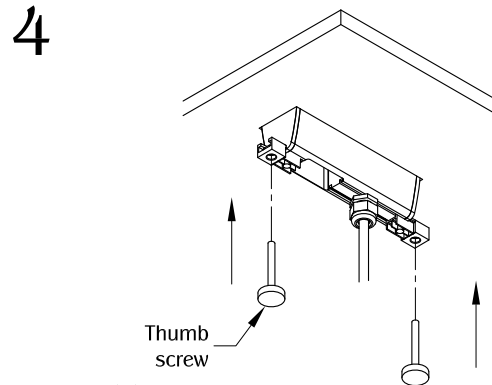
Determine the position and location of the unit on the work surface. Cut the hole at 6-3/4" X 2". Place and allow enough clearance for unit operation. DO NOT place unit where the cable is strained or trapped.



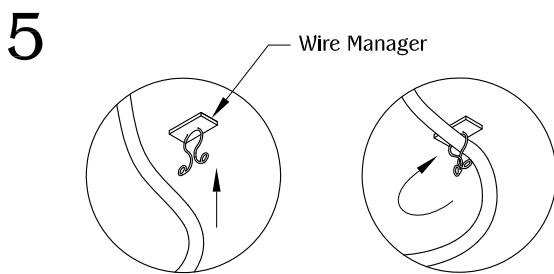
Guide the power cord through the cut out. Install the unit into the cut out and make sure it is fully leveled onto the surface.



Insert (2) hex nuts into the opening on the sides of the wing clamps. Slide the (2) wing clamps in the underside track of the unit.


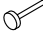





Use (2) thumb screws to secure the part in the work surface. Plug the unit into a nearby outlet and unit is ready for use.



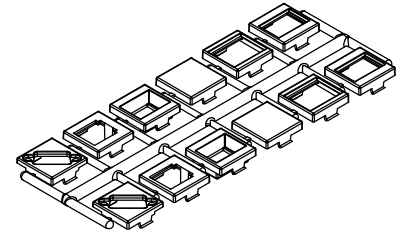
Optional wire manager.

TABLE OF CONTENTS:

	1X PCS49A
	2X Thumb Screw
	2X Wing Clamp
	2X Hex Nut
	1X Wire Manager

PCS Data Tree

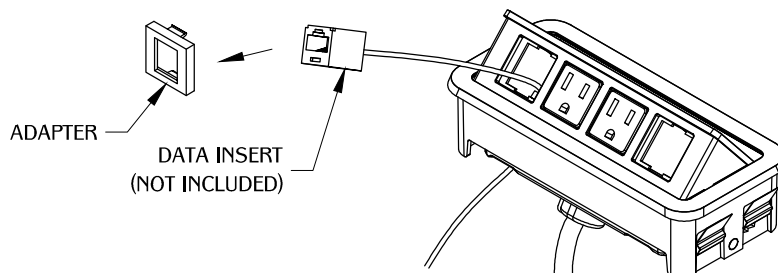
- 1.) Select the appropriate adapter from the chart below. (example: Panduit Mini-Com Series jack would use "FFF" adapter marked on back of adapter.)



*Jacks, not included, UL Listed (DUXR) or Recognized (DUXR2) jacks required.

Adapter	Manufacturer	Website
BBB	L-Com Keystone Modular	www.L-Com.com
BBB	NETCONNECT, and 110 Connect Series Modular Jack	www.Anixter.com
BBB	Siemon ZMAX Style	www.Siemon.com
BBB	Allen Tel Versa Tap Series	www.Graybar.com
BBB	Leviton Quick Port ® Series	www.Leviton.com
BBB	Belden REVConnect	www.Belden.com
BBB	HDMI Adapter Cable	www.Mockett.com
CCC	Hubbell Nextspeed™ Keystone Series	www.Hubbell-premise.com
CCC	ADC Truenet Series	www.Anixter.com
DDD	Blank (no coupler/jack)	-
EEE	Ortronics TracJack Series	www.Ortronics.com
FFF	Panduit Mini-Com Series	www.Panduit.com
HHH	Video Monitor Jack/DB-15, panel mount solder style	www.Mockett.com

- 2.) Snap Jack into adapter following the instructions provided with the jack.
 3.) Once assembled, snap adapter into the notched, square holes in the orientation shown.



NOTE: Please verify fit of jack in adapter before ordering large quantities as manufacturer designs may change without notice.