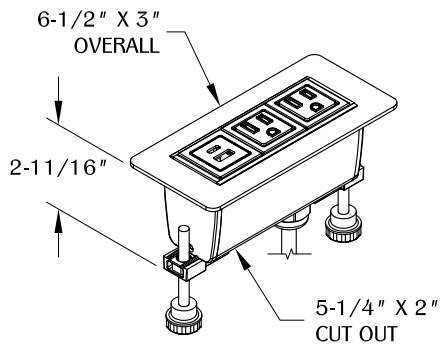
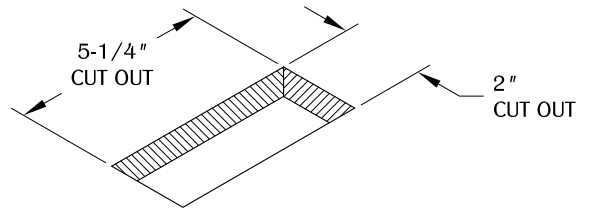


NOTE:

- USB-A & USB-C ports are for charging use ONLY.
- 6 ft. cord
- Table thickness is 3/4" MIN. to 1-3/4" MAX.

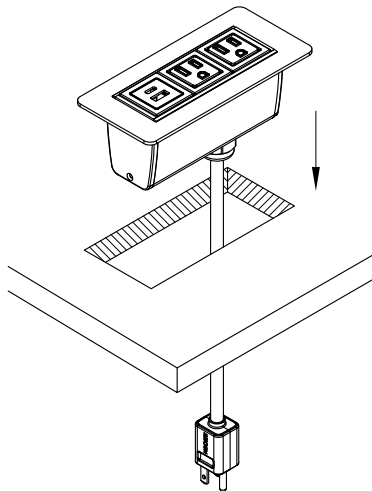


1



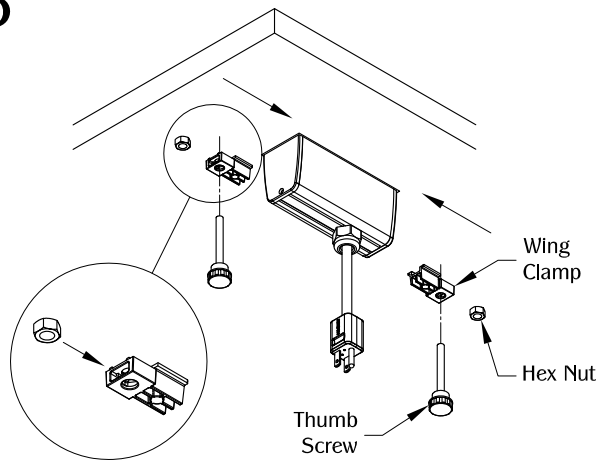
Make a cut out in the desired location on your work surface. Place near a power outlet and allow enough clearance for unit operation. **DO NOT** place unit where the cable is strained or trapped. Cut the hole at 5-1/4" X 2" .

2



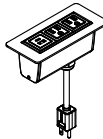



Guide the power cord through the cut out. Install the unit into the cut out and make sure it is fully leveled onto the surface.

3



Slide the wing clamps in the underside track of the unit. Insert hex nuts into the opening on the sides of the wing claps. Use (2) thumb screws to secure the part in the work surface.

TABLE OF CONTENTS:

 1X PCS49A/USBAC
 2X Thumb Screw
 2X Wing Clamp
 2X Hex Nut