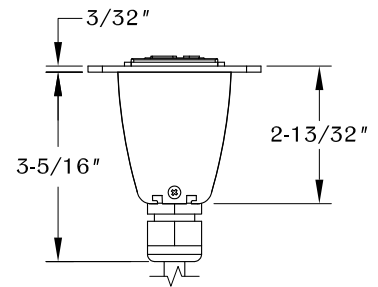
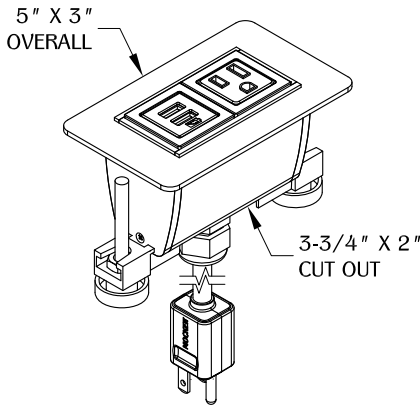
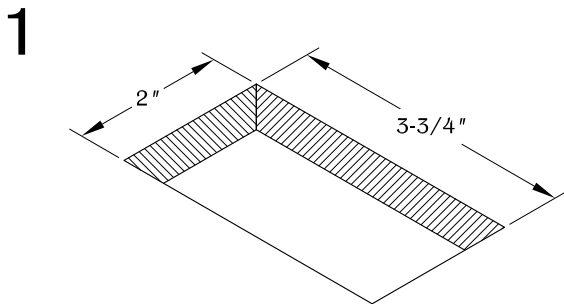


NOTE:

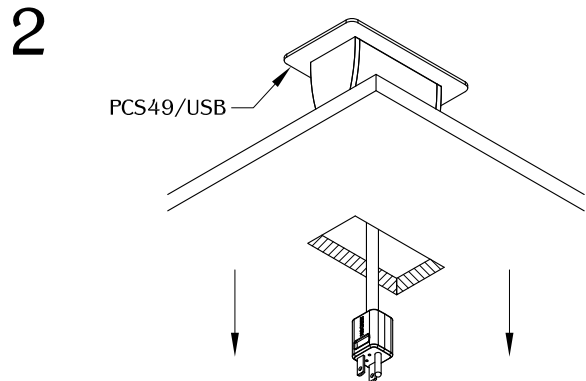
- 6 ft. cord length.
- For use on a normally dry work surface.
- Table thickness is 3/4" MIN. to 1-3/4" MAX.
- Plug dimension is 1-11/32" X 1-1/32" X 7/8".
- USB-A ports are for charging use only.



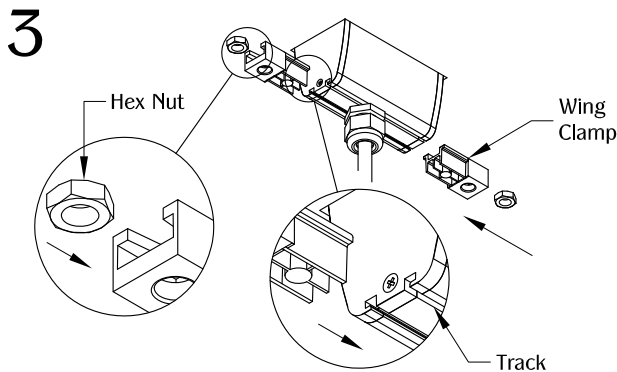
SIDE VIEW



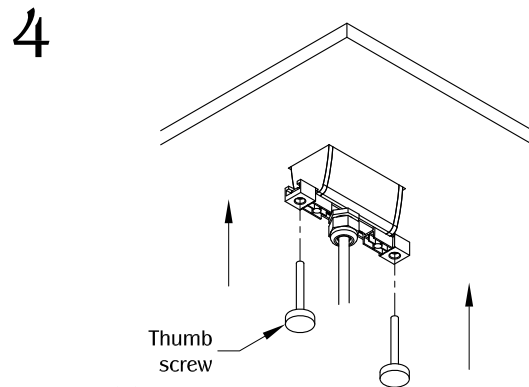
Determine the position and location of the unit on the work surface. Cut the hole at 3-3/4" X 2". Place and allow enough clearance for unit operation. **DO NOT** place unit where the cable is strained or trapped.



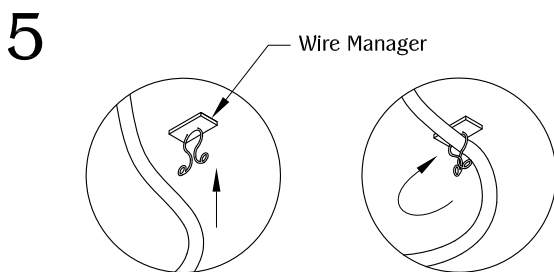
Guide the power cord through the cut out. Install the unit into the cut out and make sure it is fully leveled onto the surface.



Insert (2) hex nuts into the opening on the sides of the wing clamps. Slide the (2) wing clamps in the underside track of the unit.



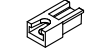




Use (2) thumb screws to secure the part in the work surface. Plug the unit into a nearby outlet and unit is ready for use.



Optional wire manager.

TABLE OF CONTENTS:

 1X PCS49/USB
 2X Thumb Screw
 2X Wing Clamp
 2X Hex Nut
 1X Wire Manager