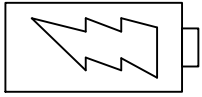


PART #

PCS48E-U

310.318.2491 • 800.523.1269 • www.mockett.com



USB plugs
for CHARGING USE ONLY.

TABLE OF CONTENTS:

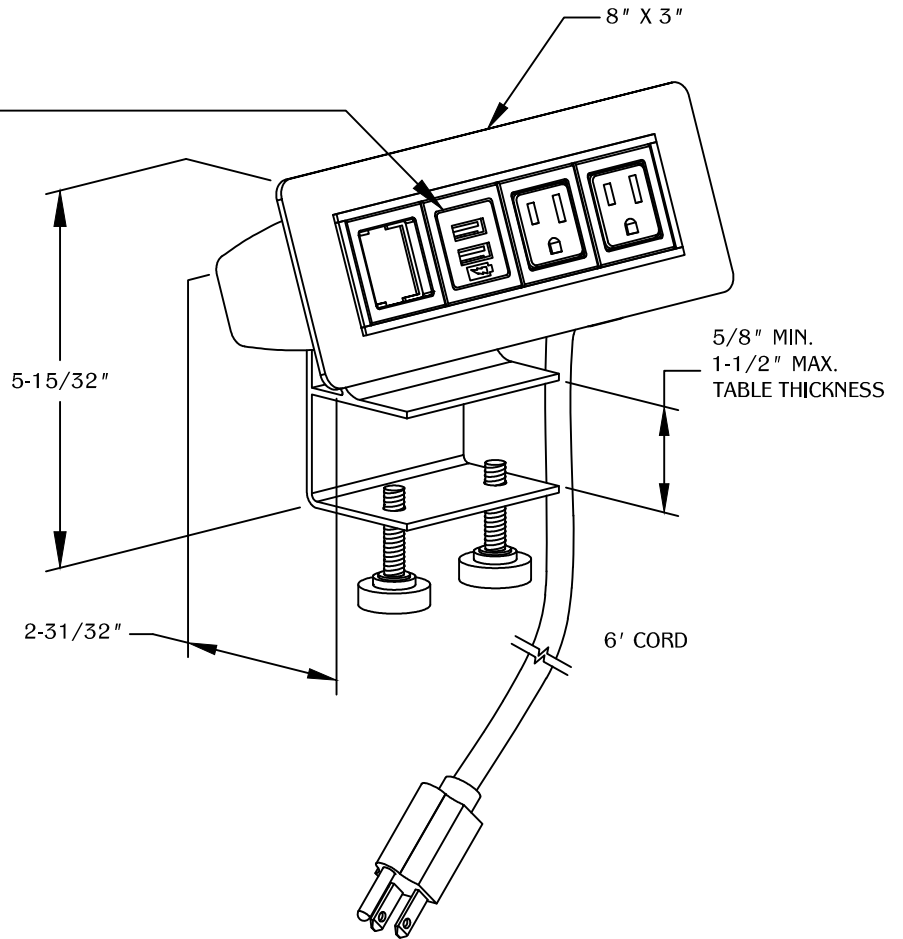


..... 1 x PCS48E

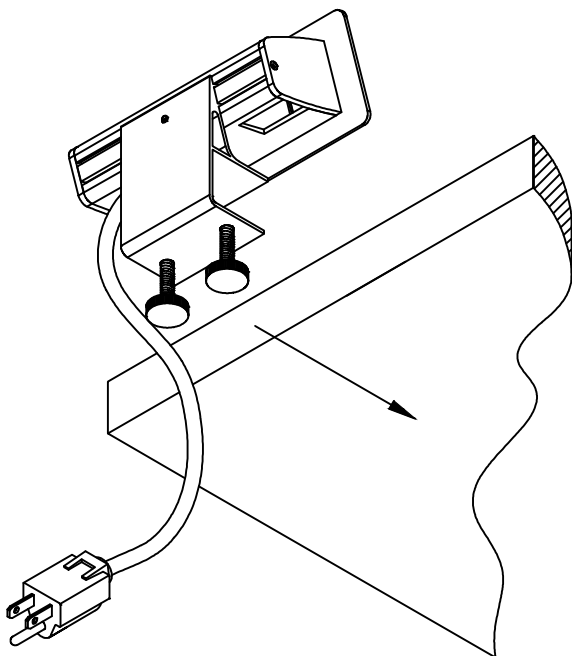


..... 2 x THUMB SCREWS

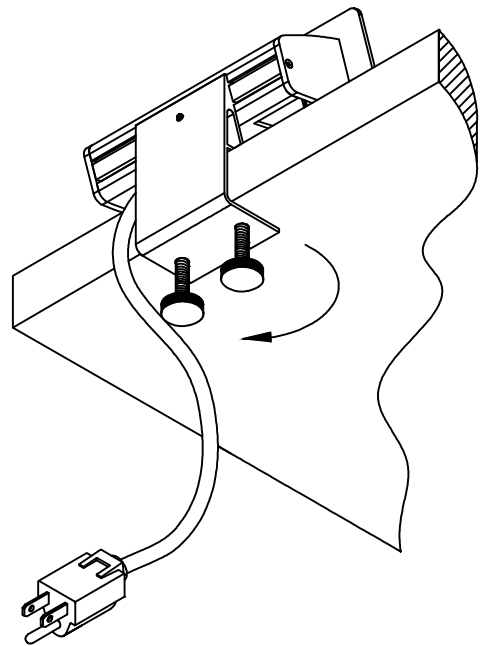
NOTE:
INSTALL DATA JACKS AS DESCRIBED IN THE
INSTALLATION PROVIDED WITH THE DATA
ADAPTERS



1

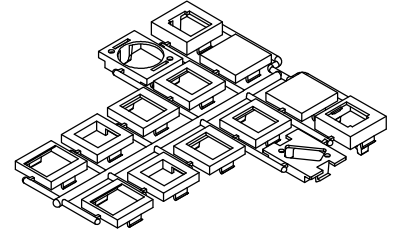


2



PCS Data Tree

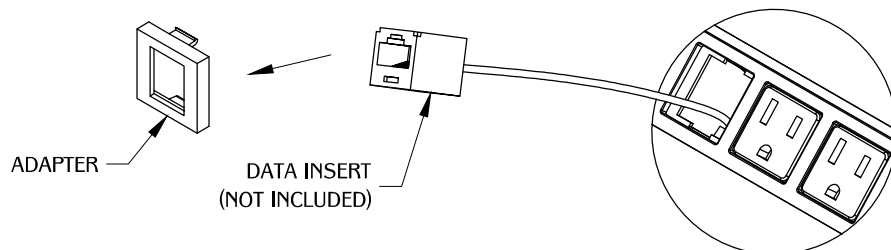
- 1.) Select the appropriate adapter from the chart below. (example: Panduit Mini-Com Series jack would use "FF" adapter marked on back of adapter.)



* Jacks, not included, UL Listed (DUXR) or Recognized (DUXR2) jacks required.

Adapter	Manufacturer	Website
AA	Systimax/CommScope	www.Commscope.com/Systimax
AA	Uniprise/CommScope	www.Commscope.com/Systimax
BB	L-Com Keystone Modular	www.L-Com.com
BB	NETCONNECT, and 110 Connect Series Modular Jack	www.Anixter.com
BB	Siemon ZMAX Style	www.Siemon.com
BB	Allen Tel Versa Tap Series	www.Graybar.com
BB	Leviton Quick Port ® Series	www.Leviton.com
BB	Belden REVconnect	www.Belden.com
CC	Hubble Nextspeed™ Keystone Series	www.Hubbell-premise.com
DD	Blank (No coupler/jack)	-
EE	Ortronics TracJack Series	www.Ortronics.com
FF	Panduit Mini-Com Series	www.Panduit.com
GG	Microphone Jack/3-pin XLR, solder style only	www.Mockett.com
HH	Video Monitor Jack/DB-15, panel mount solder style	www.Mockett.com

- 2.) Snap Jack into adapter following the instructions provided with the jack.
- 3.) Once assembled, snap adapter into the notched, square holes in the orientation shown.



NOTE: Please verify fit of jack in adapter before ordering large quantities as manufacturer designs may change without notice.