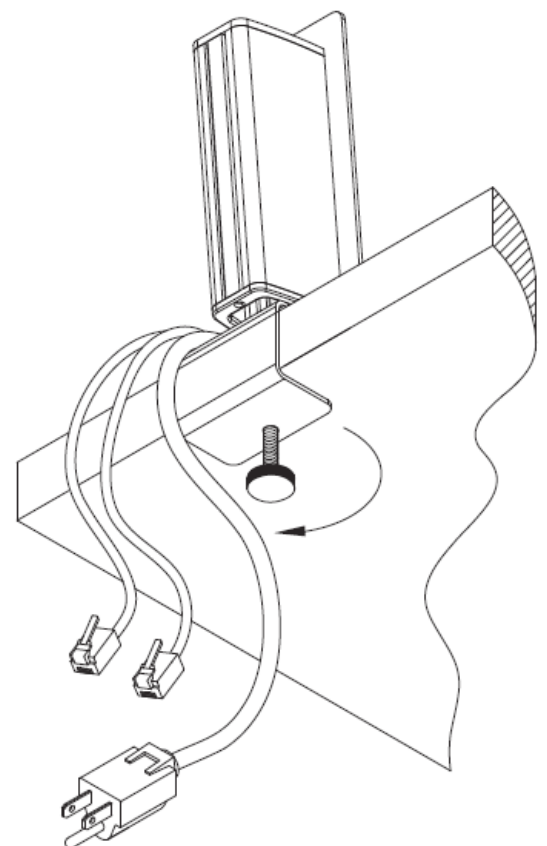
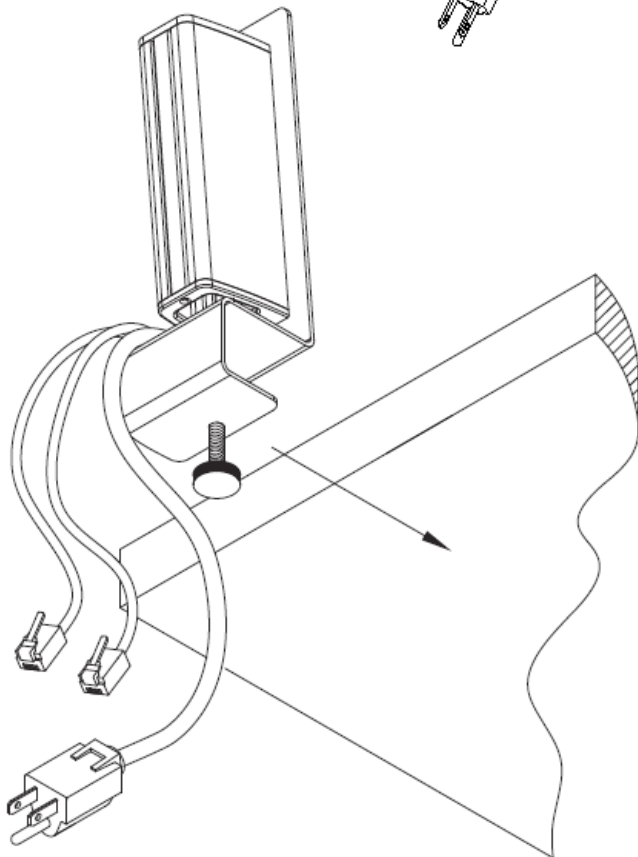
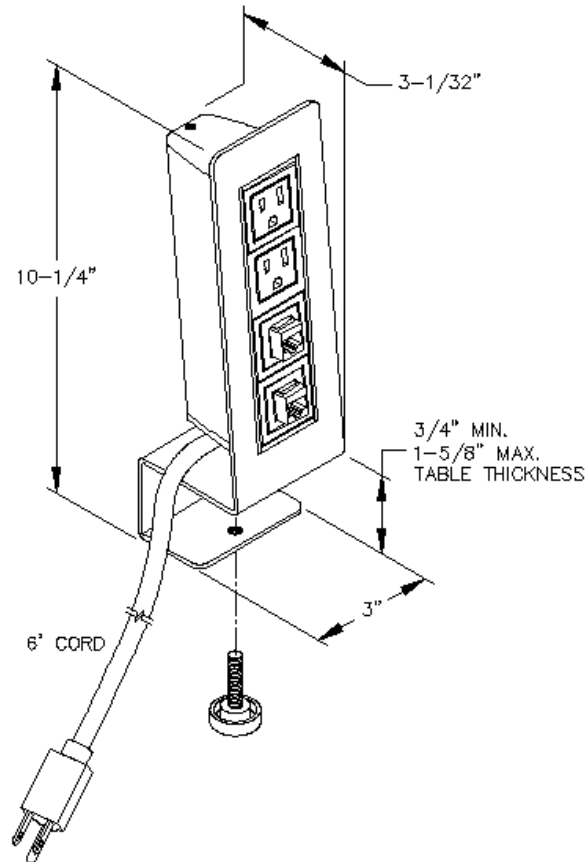


Install data jacks as described in the installation provided with the data adapters

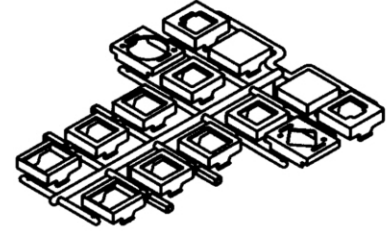


## INSTALLATION INSTRUCTIONS FOR VOICE/DATA ADAPTER KIT & BASE PLATE

1. Select the appropriate voice/data adapter from the chart below (example: Avaya coupler/jack would use "AA" adapter).

\*Jacks & couplers sold separately, UL Listed (DUXR) or Recognized (DUXR2) jacks/couplers required.

Note: Adapters accommodate coupler/jacks by the following manufacturers:



Adapter	Adapter Opening	Manufacturer	Website
AA	.654 X .700	Avaya/AT&T/Lucent Technologies	<a href="http://www.Avaya.com">www.Avaya.com</a>
BB	.594 X .792	Amp/Tyco	<a href="http://www.Amp.com">www.Amp.com</a>
BB	.594 X .792	Panduit, Keystone Type	<a href="http://www.Panduit.com">www.Panduit.com</a>
BB	.594 X .792	Allen Tel	<a href="http://www.Allentel.com">www.Allentel.com</a>
BB	.594 X .792	Leviton	<a href="http://www.Leviton.com">www.Leviton.com</a>
CC	.594 X .752	Amp/Tyco	<a href="http://www.Amp.com">www.Amp.com</a>
CC	.594 X .752	Krone	<a href="http://www.Krone.com">www.Krone.com</a>
CC	.594 X .752	Hubbell	<a href="http://www.Hubbell.com">www.Hubbell.com</a>
DD	No Opening	Blank (no coupler/jack)	
EE	.665 X .930	Ortronics TracJack	<a href="http://www.Ortronics.com">www.Ortronics.com</a>
FF	.626 X .660	Panduit Mini-Com Connectors	<a href="http://www.Panduit.com">www.Panduit.com</a>
GG	.953 Diameter	Microphone jack/3-pin XLR	
HH		Video Monitor jack/DB-15	

2. Snap voice/data jack into adapter following the instructions provided with the jack.

3. Once assembled, snap adapter into the notched, square holes in the orientation shown.

4. If provided, snap adapter into any 1-3/8" X 2-3/4" opening.

