

INSTALLATION INSTRUCTIONS

FIGURE 2

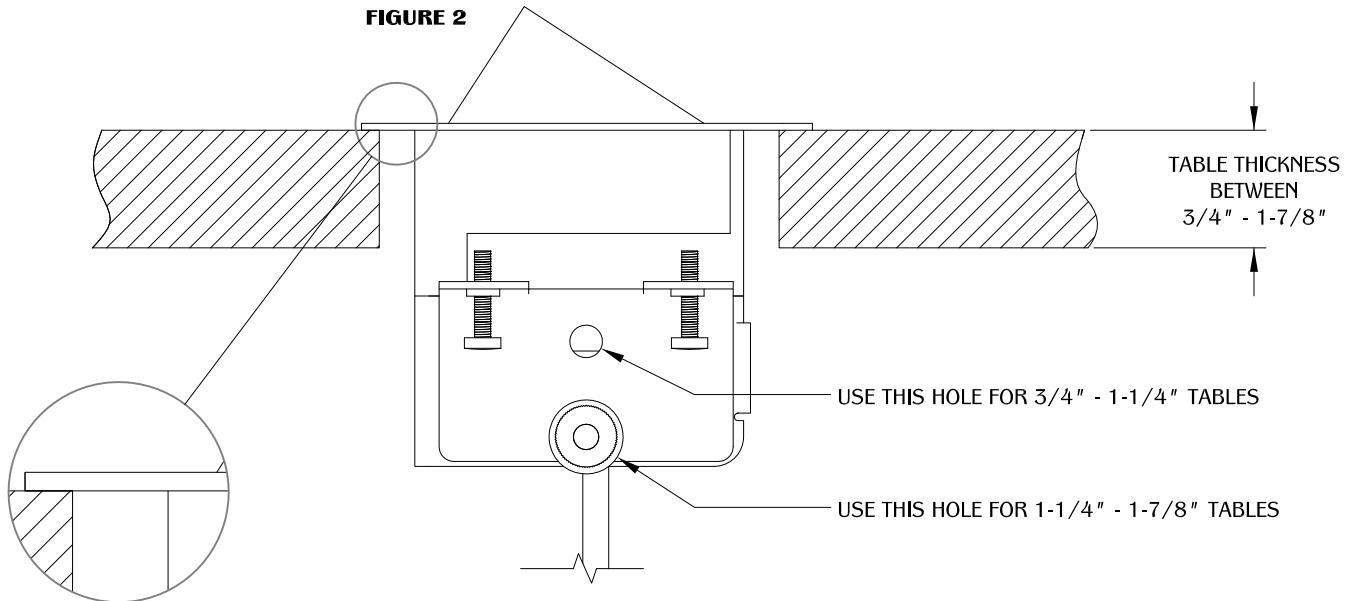


FIGURE 1

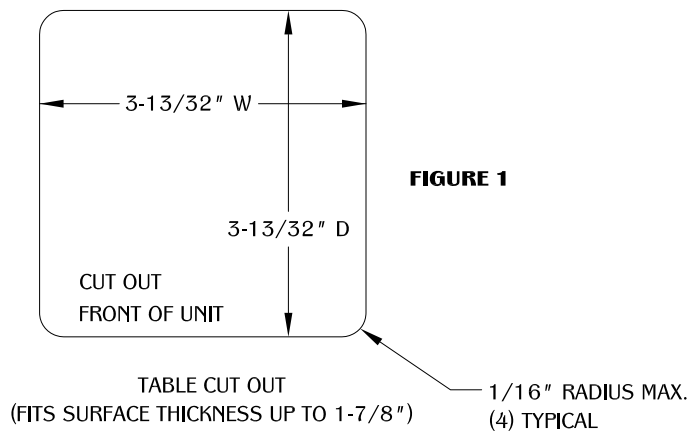
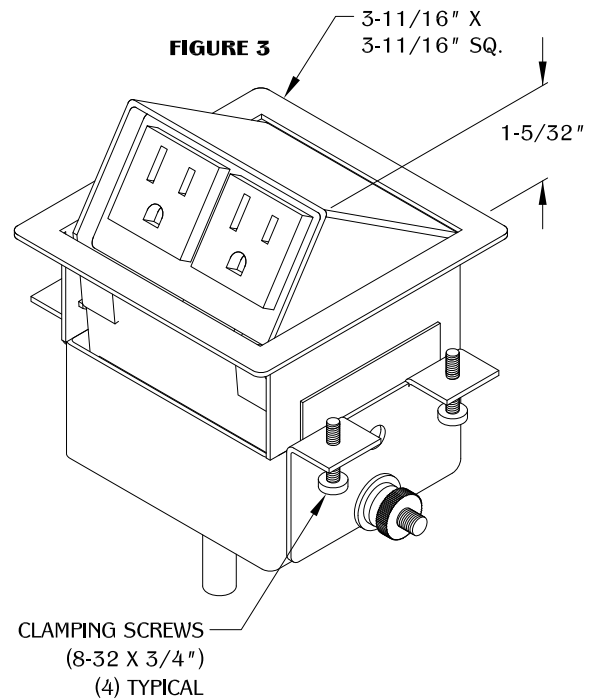


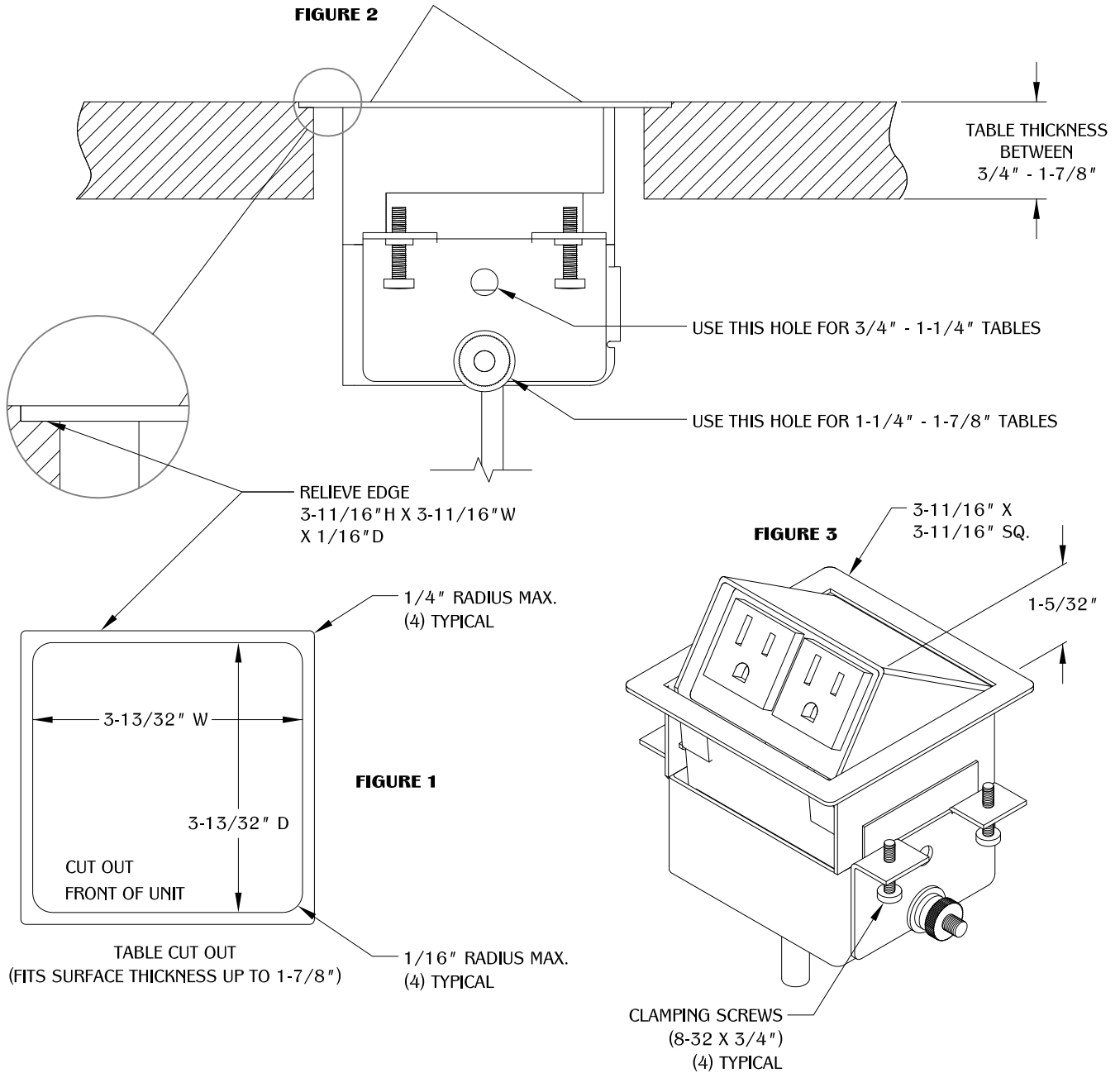
FIGURE 3



1. Follow the cut out illustration in FIGURE 1 for cut out size in the table.
2. Insert PCS45EE into cut out and using threaded studs, washers and plastic nuts secure clamp against the bottom of the table. see FIGURES 2 & 3.
3. After clamp is in place insert and tighten down on clamping screws to firmly secure PCS45EE in table cut out.
4. The PCS45EE comes pre-wired for both the power and the data; therefore no internal connections are required. Simply connect cords as needed.
5. Check for proper operation and movement of the PCS45EE (Power cord 6')

OPTIONAL FLUSH MOUNT

INSTALLATION INSTRUCTIONS



1. Follow the cut out illustration in FIGURE 1 for cut out size in the table as well as the area that needs to be relieved down to a depth of 1/16"
2. Insert PCS45EE into cut out and using threaded studs, washers and plastic nuts secure clamp against the bottom of the table. see FIGURES 2 & 3.
3. After clamp is in place insert and tighten down on clamping screws to firmly secure PCS45EE in table cut out.
4. The PCS45EE comes pre-wired for both the power and the data; therefore no internal connections are required. Simply connect cords as needed.
5. Check for proper operation and movement of the PCS45EE (Power cord 6')