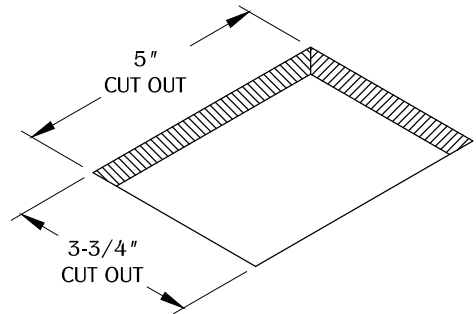
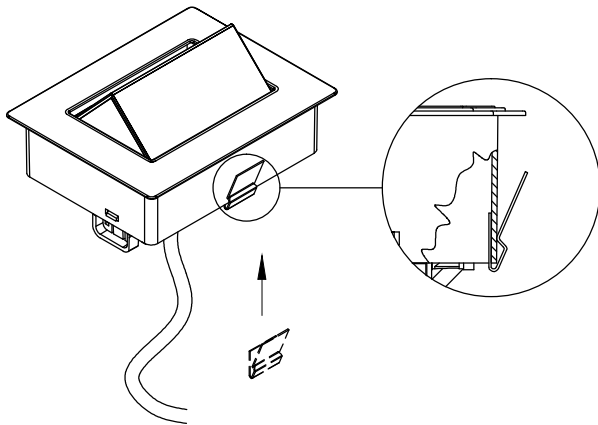


1



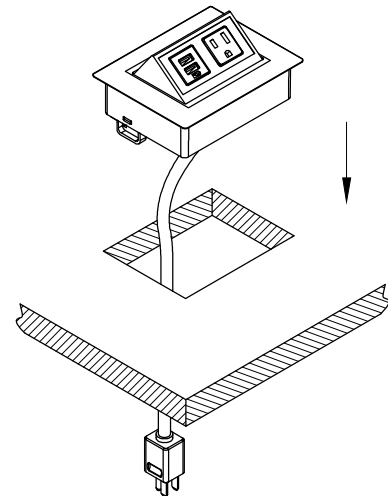
Determine the position and location of the unit on the work surface. Cut the hole at 5" X 3-3/4".

2



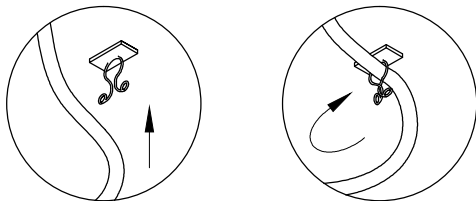
Place metal clips near the ends of the back of the unit. (NOTE: Metal clips are for use in hard surface material only as an optional mounting means.)

3



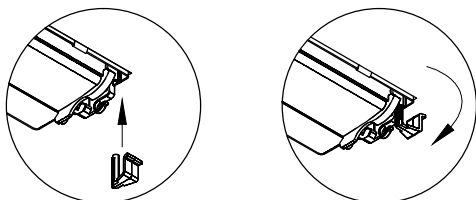
Drop in unit into cut out.

4



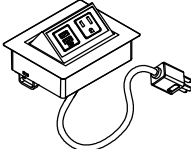



Optional wire manager.

5



Secure unit by turning bottom wing clamp.

TABLE OF CONTENTS:

1X PCS43C/USB
1X Wire manager
1X Metal clip
2X Wing clamp