

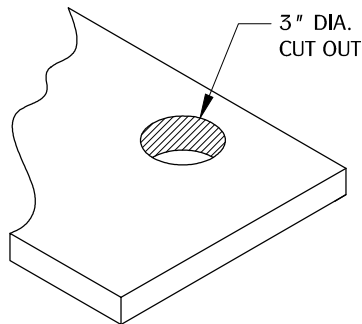
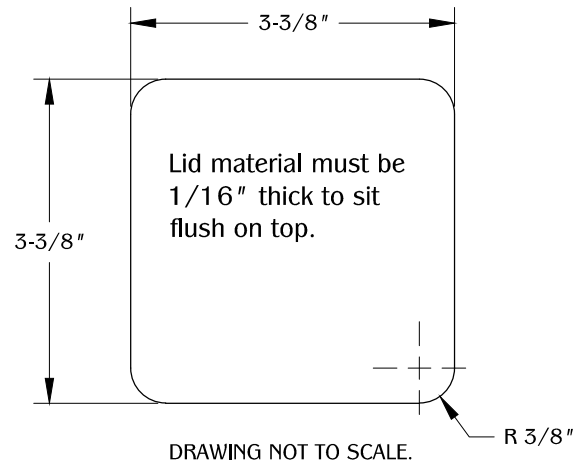
LID INSTALLATION

1. 1/16" maximum recommended lid material thickness.
2. Cut material to measure 3-3/8" x 3-3/8" with 3/8" radius on all corners.
3. Use thin double sided tape or epoxy glue to install lid on unit.

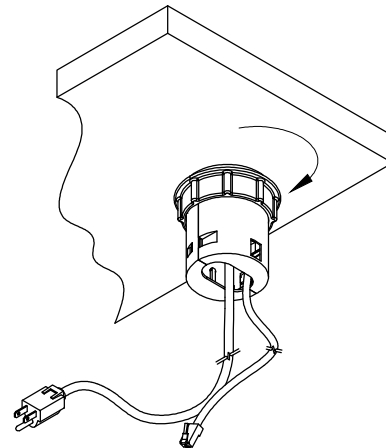
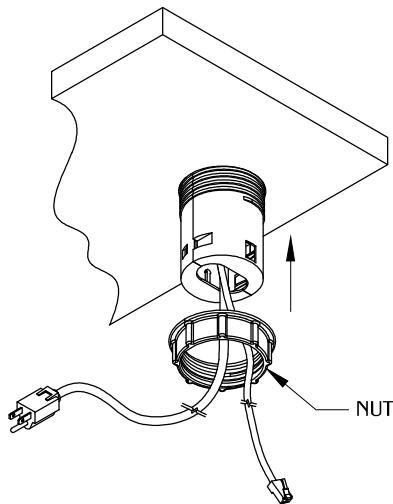
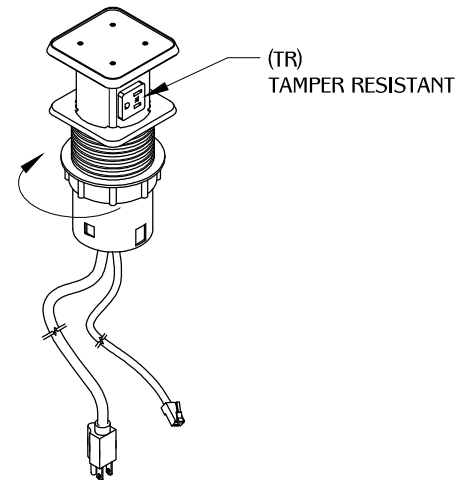
NOTE:

Do not exceed 1/16" thickness. Material might get too heavy.

1 lb maximum weight capacity for material.



NOTE: RECOMMENDED TABLE THICKNESS 5/8" MIN. TO 1-1/2" MAX.



1. Determine location on table. Make a 3" diameter cut out.
(Note: Masking tape may be applied over area to help avoid chipping veneer or laminate.)
Remove nut attached to unit.
2. Lower unit into place and route cord as needed. Position the unit facing in the desired direction. Attach nut and tighten. Push on the top to test the unit. If it doesn't spring all the way up, loosen nut slightly.

NOTE:

Please remove protective film on satin aluminum lids.