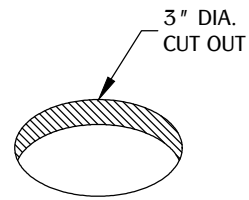
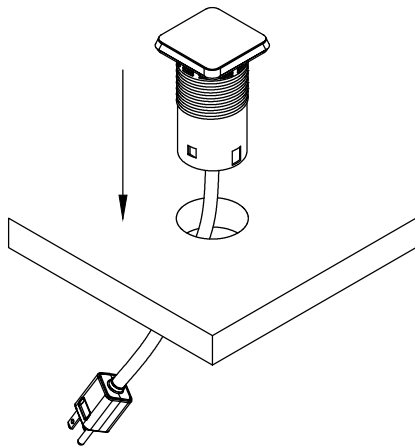


1



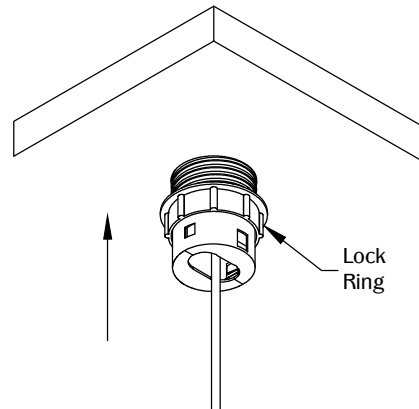
Make a cutout in the desired location on your work surface. Allow enough clearance for unit operation. **DO NOT** place unit where the cable is strained or trapped.

2



Guide the cord and drop the unit into the cut out. Make sure the unit is fully leveled on the work surface.

3

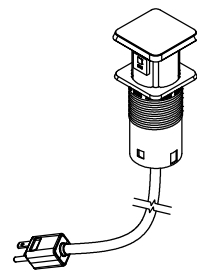
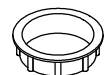


Secure the unit by using the lock ring. Plug the unit into a nearby outlet.

GENERAL INFORMATION

1. USB-C output 18W.
2. Qualcomm Quick Charge 3.0 compatible.
3. Charging speed may vary based on mobile device, tablet or laptops.
4. USB-C is for charging use only.

TABLE OF CONTENTS:

1 X PCS39/USBC
1 X LOCK RING