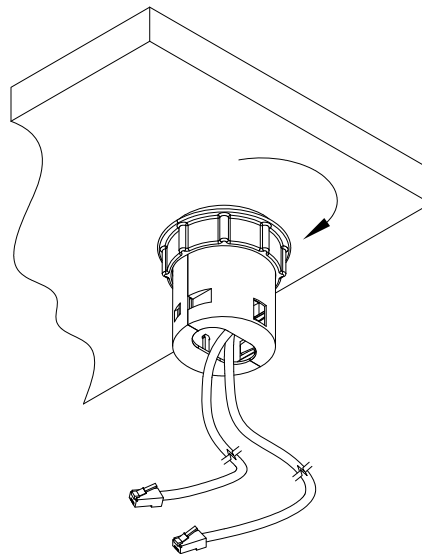
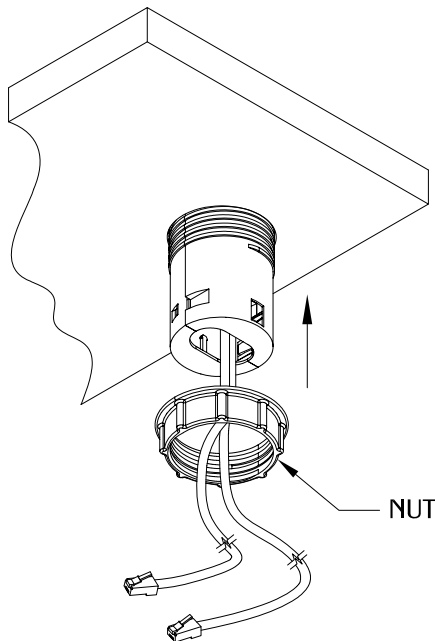
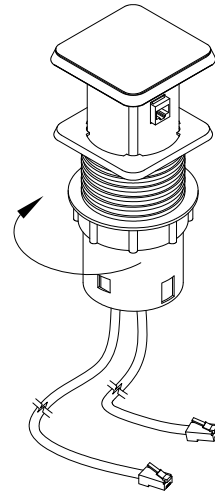


NOTE: RECOMMENDED TABLE  
THICKNESS 5/8" MIN.  
TO 1-1/2" MAX.



1. Determine location on table. Make a 3" diameter cut out.  
(Note: Masking tape may be applied over area to help avoid chipping veneer or laminate.)  
Remove nut attached to unit.
2. Lower unit into place and route cord as needed. Position the unit facing in the desired direction.  
Attach nut and tighten. Push on the top to test the unit. If it doesn't spring all the way up, loosen nut slightly.

NOTE:  
Please remove protective film on satin aluminum lids.