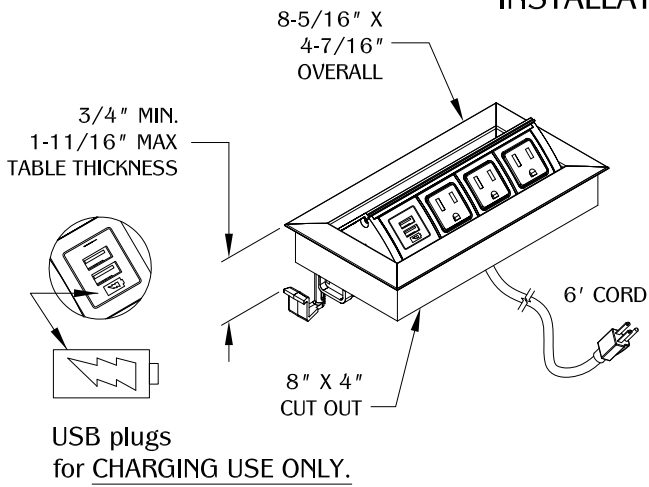
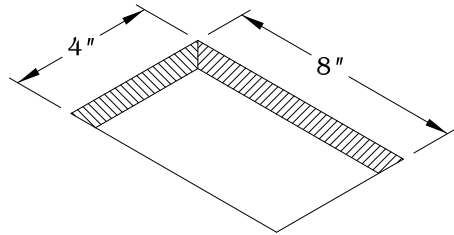


INSTALLATION INSTRUCTIONS

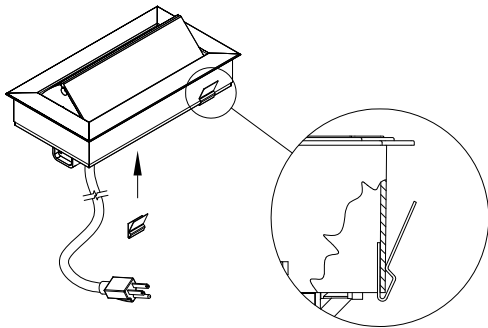


1



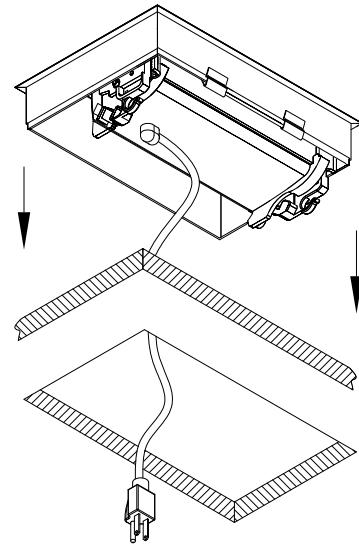
Make a cut out of 8" x 4" at the desired surface.

2



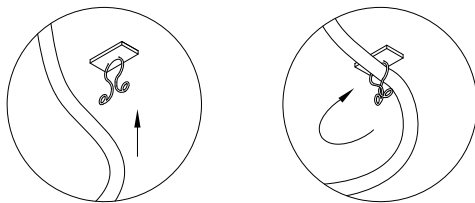
Place metal clips near the ends of the back of the unit.
(NOTE: Metal clips are for use in hard surface material only as an optional mounting means.)

3



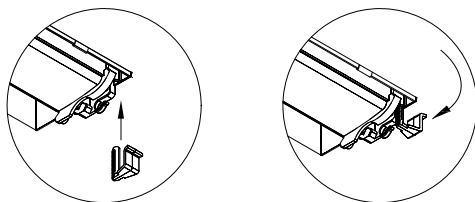
Drop in unit into cut out.

4



Optional wire manager.

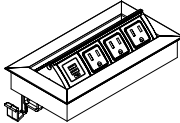



5



Secure unit by turning bottom wing clamp.

NOTE:
Conduit should be supported according to local code.

TABLE OF CONTENTS:

 1 X PCS36B/USB3E
 1 X WIRE MANAGER
 2 X METAL CLIPS
 2 X WING CLAMP