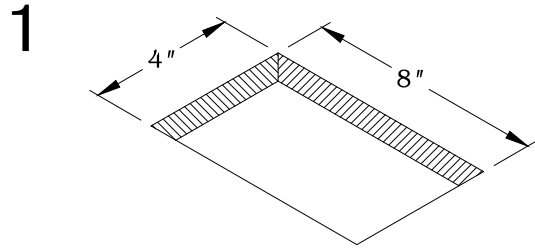
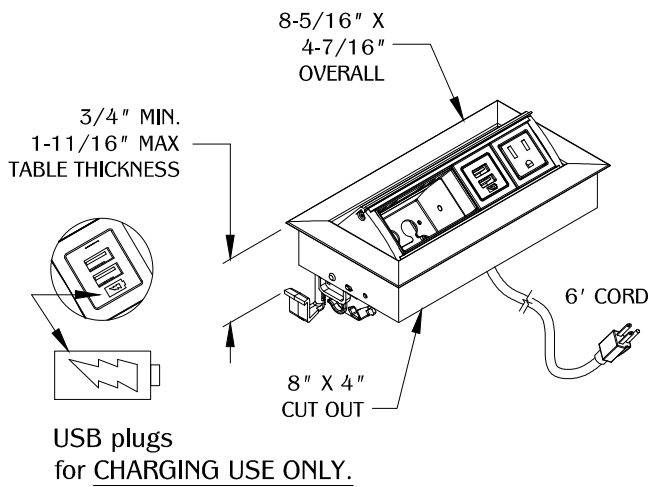


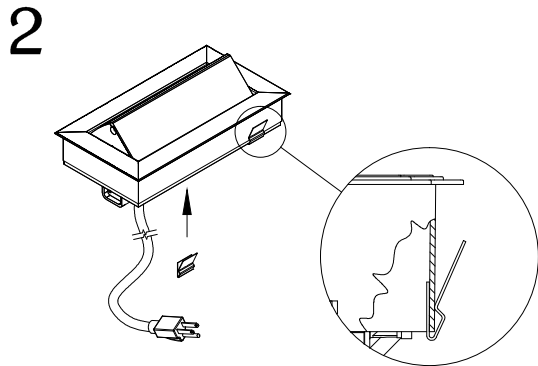
PART #
PCS36B/U1/DG

310.318.2491 • 800.523.1269 • www.mockett.com

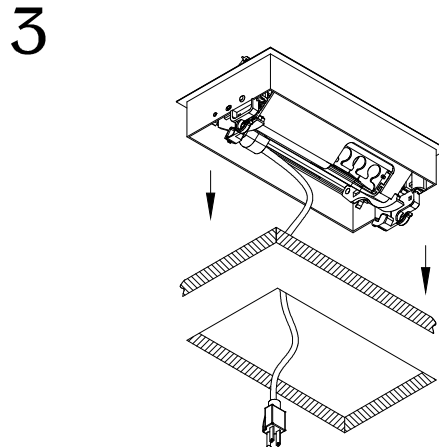
INSTALLATION INSTRUCTIONS



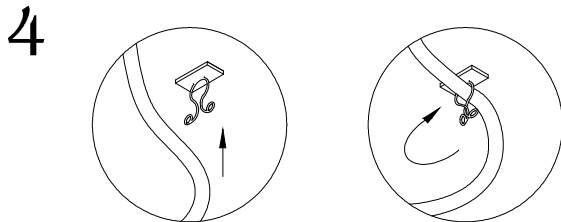
Make a cut out of 8" x 4" at the desired surface.



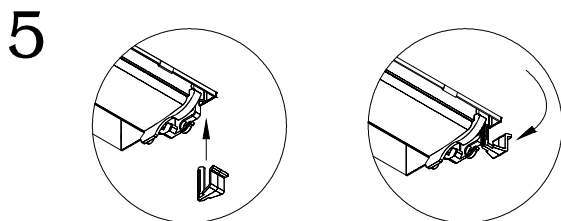
Place metal clips near the ends of the back of the unit. (NOTE: Metal clips are for use in hard surface material only as an optional mounting means.)



Drop in unit into cut out.

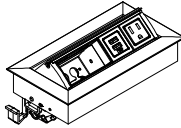






Optional wire manager.



Secure unit by turning bottom wing clamp.

TABLE OF CONTENTS:

	1 X PCS36B/U1/DG
	3 X CORD BUSHING
	1 X WIRE MANAGER
	2 X METAL CLIPS
	2 X WING CLAMP