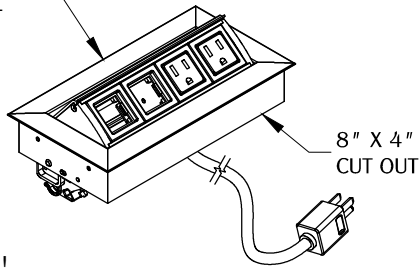


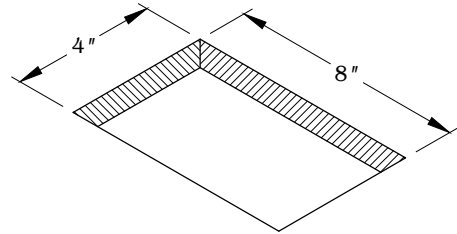
8-5/16" X  
4-7/16"  
OVERALL



NOTE:

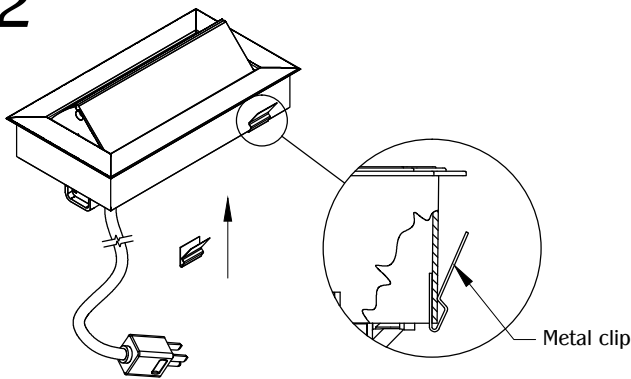
- Do **NOT** remove tape!
- 6 ft. cord.
- For use on a normally dry work surface.
- Table thickness is 3/4" MIN. to 1-11/16" MAX.
- Plug dimension is 1-11/32" X 1-1/32" X 7/8".
- Please use applicable adapter from data tree.  
(SEE PCS DATA TREE PAGE FOR MORE INFORMATION.)

1



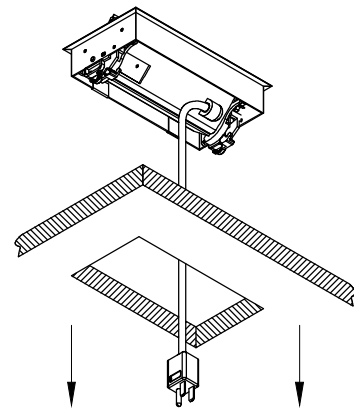
Determine the position and location of the unit on the work surface. Cut the hole at 8" X 4". Place and allow enough clearance for unit operation. DO NOT place unit where the cable is strained or trapped.

2



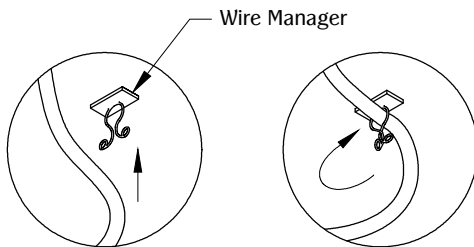
Place metal clips near the ends of the back of the unit. (NOTE: Metal clips are for use in hard surface material only as an optional mounting means.)

3



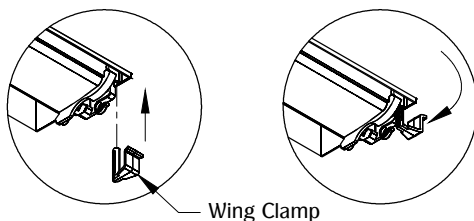
Guide the power cord through the cut out. Install the unit into the cut out and make sure it is fully leveled onto the surface.

4



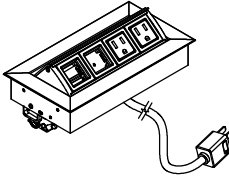



Optional wire manager.

5



Secure unit by turning bottom wing clamp.

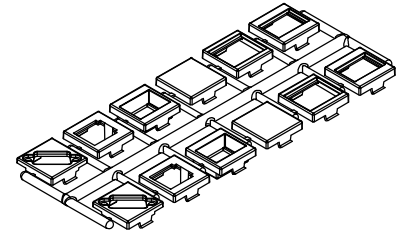
TABLE OF CONTENTS:

	.....1X PCS36B-U
	.....1X Wire Manager
	.....2X Metal Clip
	.....2X Wing Clamp

## PCS Data Tree

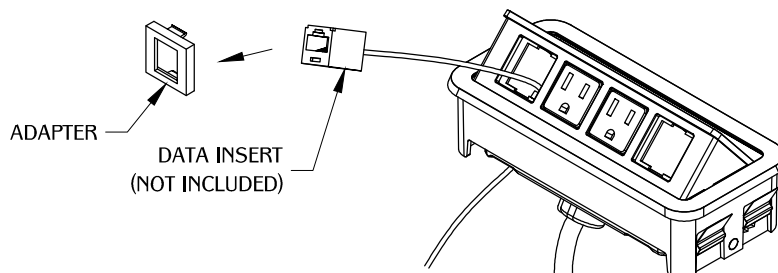
- 1.) Select the appropriate adapter from the chart below. (example: Panduit Mini-Com Series jack would use "FFF" adapter marked on back of adapter.)

\*Jacks, not included, UL Listed (DUXR) or Recognized (DUXR2) jacks required.



Adapter	Manufacturer	Website
BBB	L-Com Keystone Modular	www.L-Com.com
BBB	NETCONNECT, and 110 Connect Series Modular Jack	www.Anixter.com
BBB	Siemon ZMAX Style	www.Siemon.com
BBB	Allen Tel Versa Tap Series	www.Graybar.com
BBB	Leviton Quick Port ® Series	www.Leviton.com
BBB	Belden REVConnect	www.Belden.com
BBB	HDMI Adapter Cable	www.Mockett.com
CCC	Hubbell Nextspeed™ Keystone Series	www.Hubbell-premise.com
CCC	ADC Truenet Series	www.Anixter.com
DDD	Blank (no coupler/jack)	-
EEE	Ortronics TracJack Series	www.Ortronics.com
FFF	Panduit Mini-Com Series	www.Panduit.com
HHH	Video Monitor Jack/DB-15, panel mount solder style	www.Mockett.com

- 2.) Snap Jack into adapter following the instructions provided with the jack.
- 3.) Once assembled, snap adapter into the notched, square holes in the orientation shown.



**NOTE:** Please verify fit of jack in adapter before ordering large quantities as manufacturer designs may change without notice.