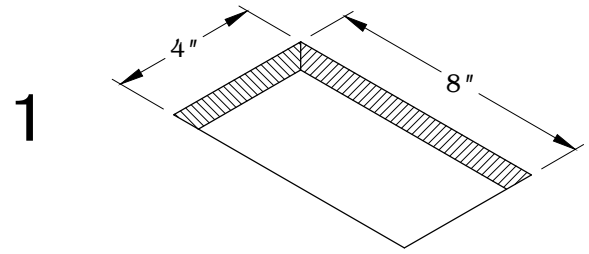
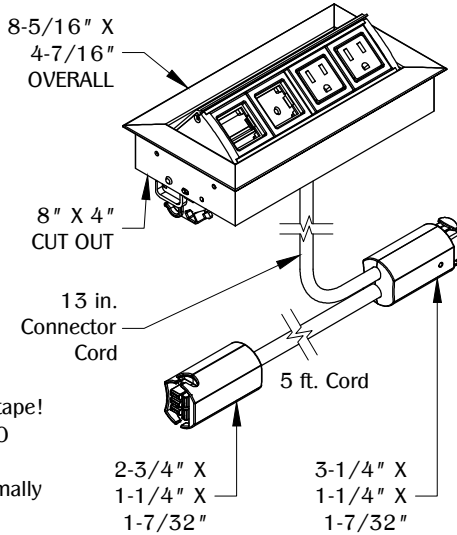
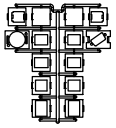


PART #

PCS36B/DC

310.318.2491 • 800.523.1269 • www.mockett.com

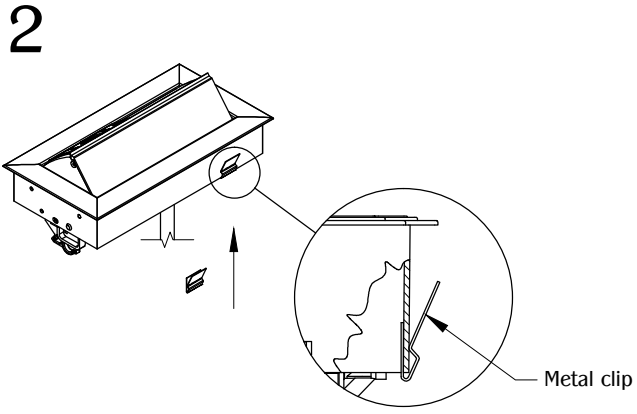
NOTE:
PLEASE USE APPLICABLE ADAPTER FROM DATA TREE. (SEE PCS DATA TREE PAGE FOR MORE INFORMATION.)



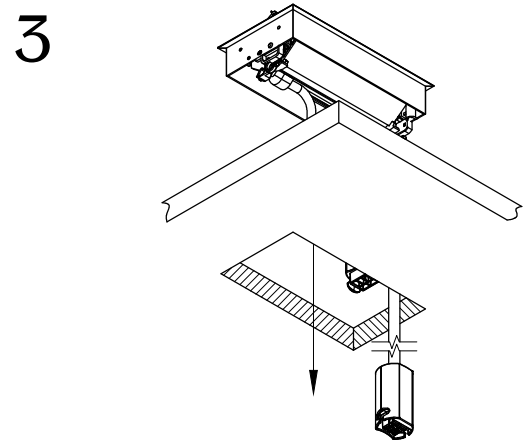
Note:
Table thickness is 3/4" MIN. and 1-11/16" MAX.

Determine the position and location of the unit on the work surface. Cut the hole at 5" X 4". Place and allow enough clearance for unit operation. DO NOT place unit where the cable is strained or trapped.

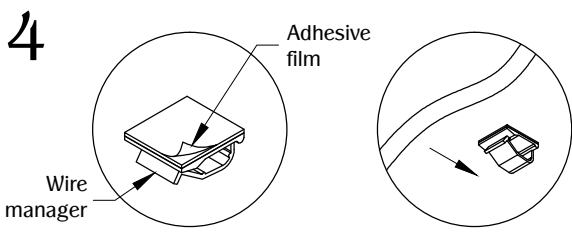
- NOTE:**
- Do **NOT** remove tape!
 - Use Smartlink 2.0 units **ONLY**.
 - For use on a normally dry work surface.



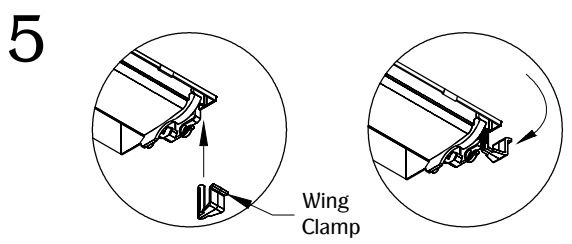
Place metal clips near the ends of the back of the unit. (**NOTE:** Metal clips are for use in hard surface material only as an optional mounting means.)



Guide the power cord through the cut out. Install the unit into the cut out and make sure it is fully leveled onto the surface.



Peel the adhesive film and place under the work surface. Install the cord.

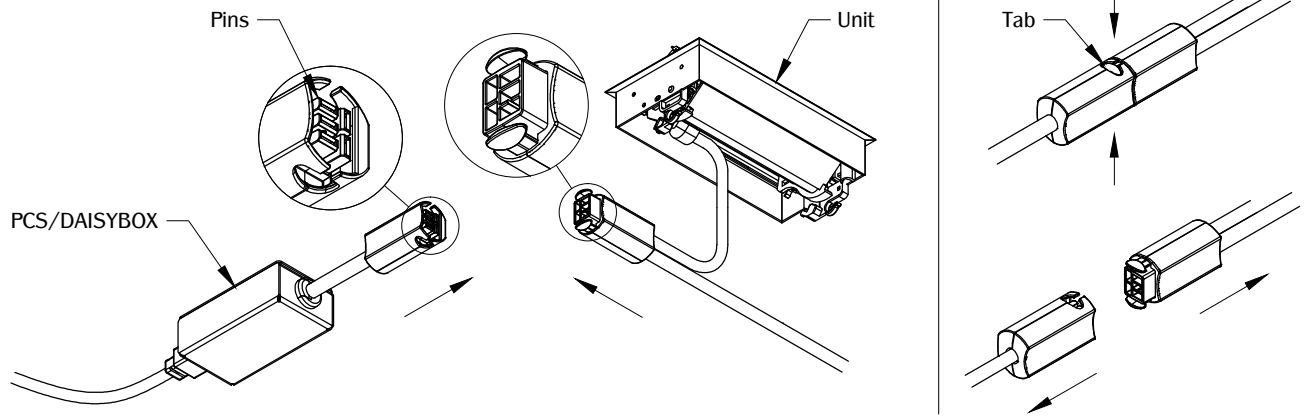


Secure unit by turning bottom wing clamp.

TABLE OF CONTENTS:

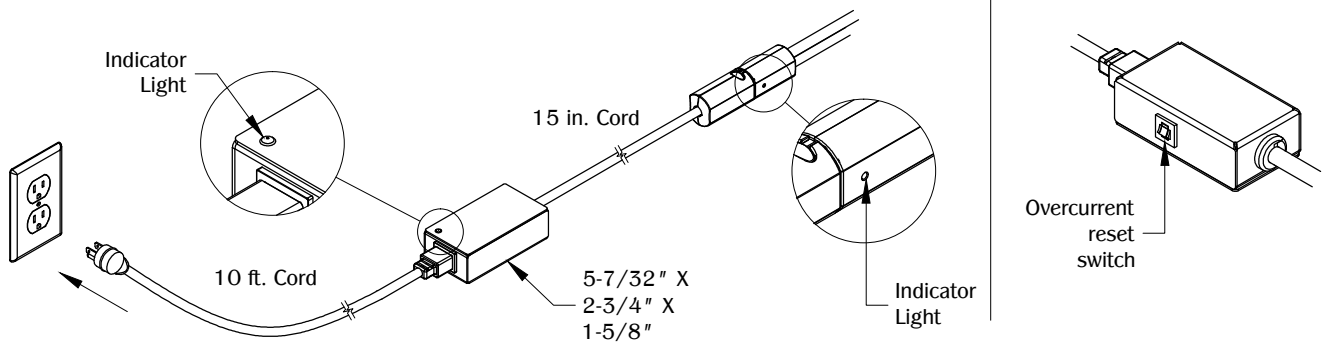
1X PCS36B/DC
2X Metal clips
2X Wing clamp
1X Wire Manager
SOLD SEPARATELY	
1X PCS/DAISYBOX
2X 1" Hook & Loop Fastener

6



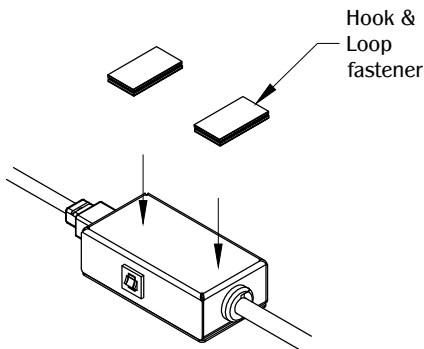
Connect the Smartlink 2.0 connectors on to the PCS/DAISYBOX and unit(s). Align the pins and snap to engage the connections. Depress the tabs on both sides and pull apart to disconnect.

7



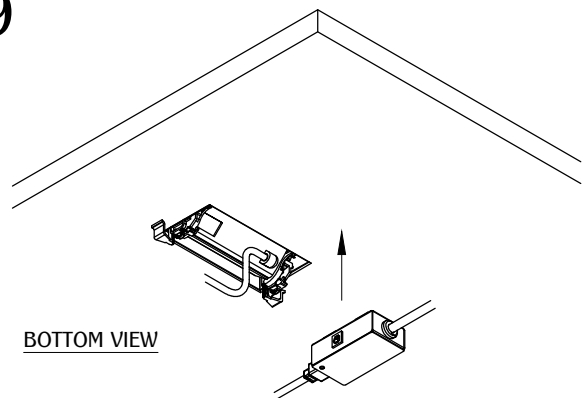
Plug in the PCS/DAISYBOX to a single 15 AMP outlet. DO NOT place where the cable is strained or trapped. The Smartlink 2.0 'indicator light' will be green or red. The Smartlink 2.0 with a "green" light means the unit is powered. It will indicate a "red" light when more than 8 units (16 MAX. power outlets total) are connected and the power will shut down. (Note: Flip the over current reset switch, when the load exceeds the rated current.)

8



Peel the film off the Hook & Loop fastener. Apply the Hook & Loop fasteners to the PCS/DAISYBOX.

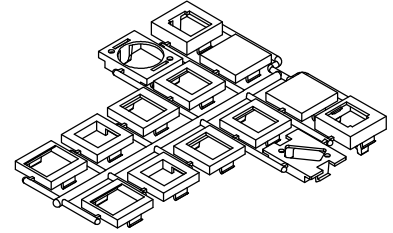
9



BOTTOM VIEW

Peel the film off other side of the Hook & Loop fastener. Place the PCS/DAISYBOX on to the underside of the work surface near the unit. Make sure the indicator light is visible.

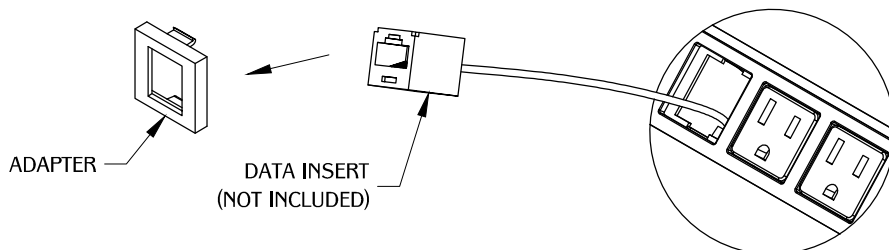
- 1.) Select the appropriate adapter from the chart below. (example: Panduit Mini-Com Series jack would use "FF" adapter marked on back of adapter.)



* Jacks, not included, UL Listed (DUXR) or Recognized (DUXR2) jacks required.

Adapter	Manufacturer	Website
AA	Systimax/CommScope	www.Commscope.com/Systimax
AA	Uniprise/CommScope	www.Commscope.com/Systimax
BB	L-Com Keystone Modular	www.L-Com.com
BB	NETCONNECT, and 110 Connect Series Modular Jack	www.Anixter.com
BB	Siemon ZMAX Style	www.Siemon.com
BB	Allen Tel Versa Tap Series	www.Graybar.com
BB	Leviton Quick Port ® Series	www.Leviton.com
BB	Belden REVconnect	www.Belden.com
CC	Hubble Nextspeed™ Keystone Series	www.Hubbell-premise.com
DD	Blank (No coupler/jack)	-
EE	Ortronics TracJack Series	www.Ortronics.com
FF	Panduit Mini-Com Series	www.Panduit.com
GG	Microphone Jack/3-pin XLR, solder style only	www.Mockett.com
HH	Video Monitor Jack/DB-15, panel mount solder style	www.Mockett.com

- 2.) Snap Jack into adapter following the instructions provided with the jack.
- 3.) Once assembled, snap adapter into the notched, square holes in the orientation shown.



NOTE: Please verify fit of jack in adapter before ordering large quantities as manufacturer designs may change without notice.