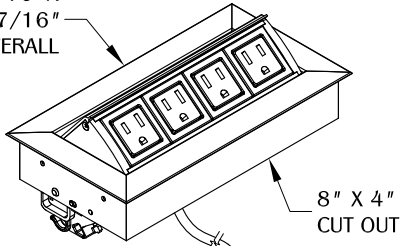


PART #

PCS36B/4E

310.318.2491 • 800.523.1269 • www.mockett.com

8-5/16" X
4-7/16" X
OVERALL

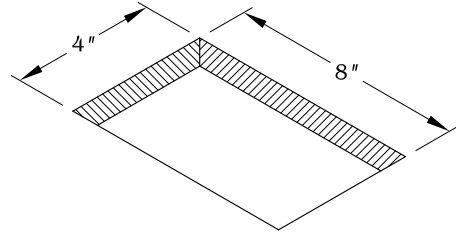


8" X 4"
CUT OUT

NOTE:

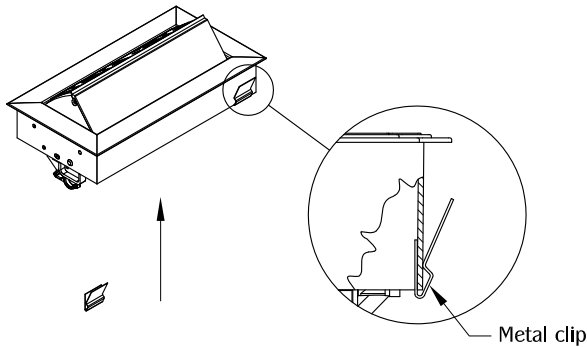
- Do **NOT** remove tape!
- 6 ft. cord length.
- For use on a normally dry work surface.
- Table thickness is 3/4" MIN. to 1-11/16" MAX.
- Circuit breaker plug is 1-15/32" X 1-21/32" X 2-1/16" .

1



Determine the position and location of the unit on the work surface. Cut the hole at 8" X 4". Place and allow enough clearance for unit operation. **DO NOT** place unit where the cable is strained or trapped.

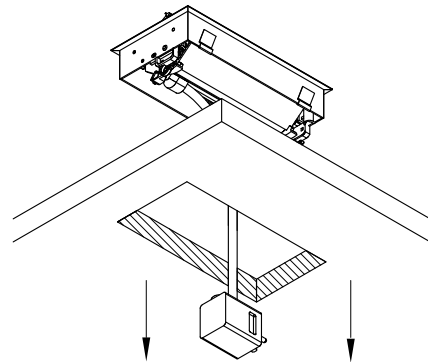
2



Metal clip

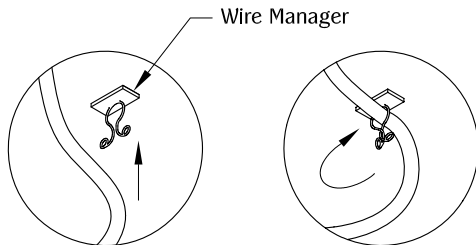
Place metal clips near the ends of the back of the unit. (NOTE: Metal clips are for use in hard surface material only as an optional mounting means.)

3



Guide the power cord through the cut out. Install the unit into the cut out and make sure it is fully leveled onto the surface.

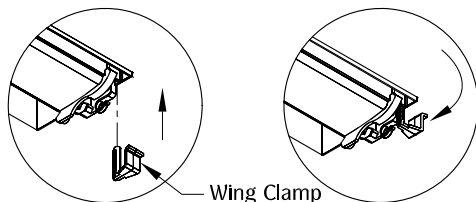
4



Wire Manager

Optional wire manager.

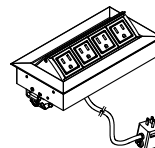
5



Wing Clamp

Secure unit by turning bottom wing clamp.

TABLE OF CONTENTS:



..... 1X PCS36B/4E



..... 1X Wire manager



..... 2X Metal clip



..... 2X Wing clamp