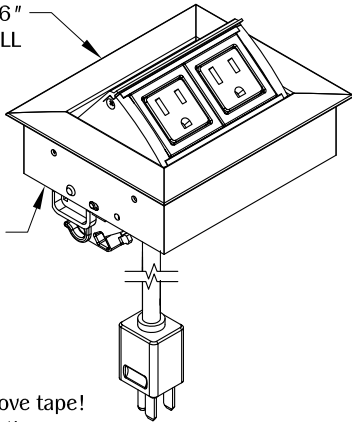


5-5/16" X
4-7/16"
OVERALL

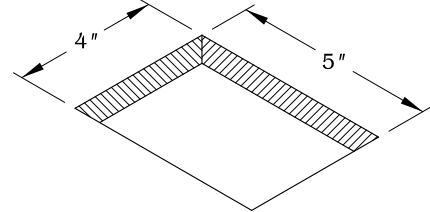
5" X 4"
CUT OUT



NOTE:

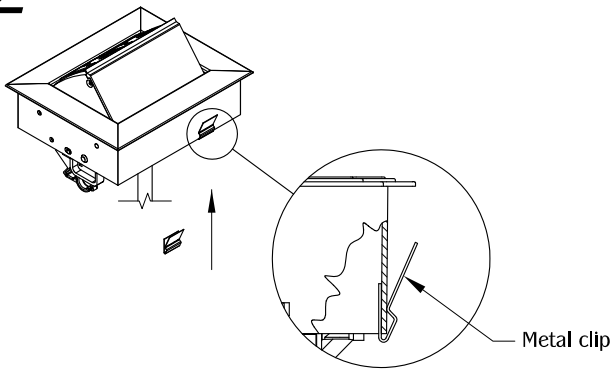
- Do **NOT** remove tape!
- 6ft. cord length.
- For use on a normally dry work surface.
- Table thickness is 3/4" MIN. to 1-11/16" MAX.
- Plug thickness is 1-11/32" X 1-1/32" X 7/8".

1



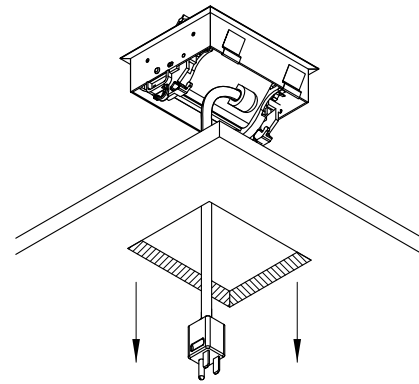
Determine the position and location of the unit on the work surface. Cut the hole at 5" X 4". Place and allow enough clearance for unit operation. **DO NOT** place unit where the cable is strained or trapped.

2



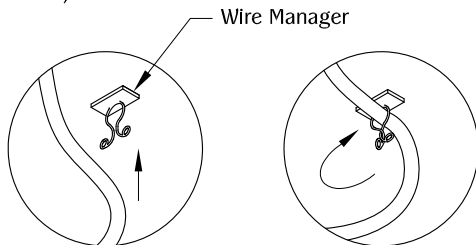
Place metal clips near the ends of the back of the unit. (NOTE: Metal clips are for use in hard surface material only as an optional mounting means.)

3



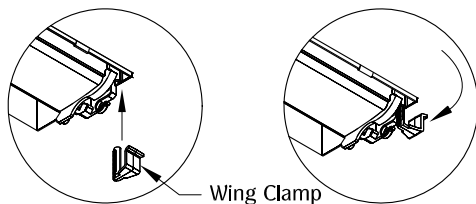
Guide the power cord through the cut out. Install the unit into the cut out and make sure it is fully leveled onto the surface.

4



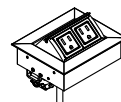
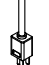


Optional wire manager.

5



Secure unit by turning bottom wing clamp.

TABLE OF CONTENTS:

1X PCS36A/EE
1X Wire Manager
2X Metal Clip
2X Wing Clamp